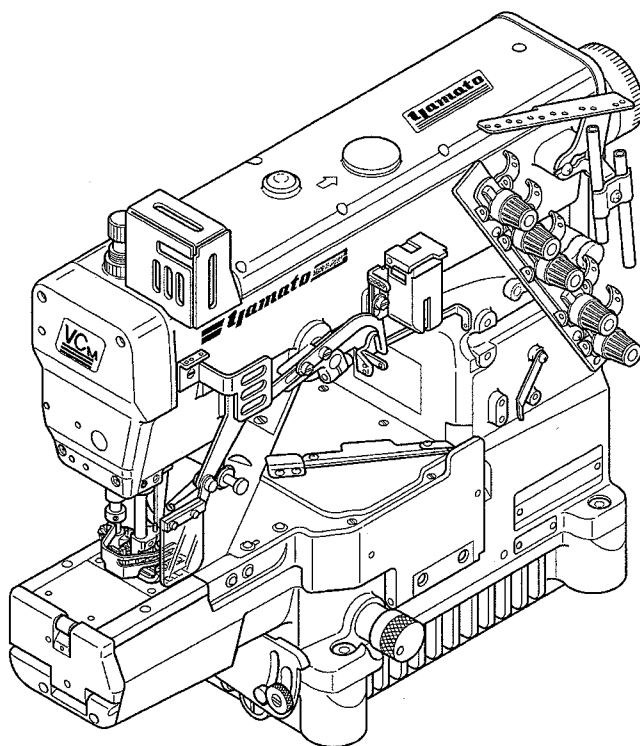


Yamato[®]

Parts List

HIGH SPEED CYLINDER BED CHAINSTITCH MACHINE

VC2700M



MODELS

VC2700M VC2713M VC2713MP



YAMATO SEWING MACHINE MFG. CO., LTD.

パーツリストの見方

このパーツリストはVC2700M-148M, 156M, 164Mを基本モデルにしてイラストを作成しています。
項目1～14には基本モデルを記載しています。
項目15～サブモデル、付帯装置等を記載しています。
パーツリストに記載されているカラーの寸法は内径×外径×幅を表わしています。

記号の説明 (Parts No. の隣に記載されています。)

[] 前回のパーツリストに対して、今回変更された部品を表わしています。

[] 内は旧Parts No. 及びネジ類の形状

◆ 前回のパーツリストに対して、今回追加された部品及びモデルを表わしています。

部品注文の際のご注意

- ☆ このパーツリストに記載されている部品をご注文の際は、Parts No.(例えば、3500201)でお願いします。
- ☆ 0068011の場合は、0068011又は68011でご注文下さい。
- ☆ エアチューブ御注文の際は品番と長さをお知らせ下さい。

なお、このパーツリストの記載事項は、改良により変更される場合がありますのでご了承下さい。

How to use this Parts List

The illustrations on this Parts List are drawn on the basis of VC2700M-148M, 156M, 164M.
The items from No.1 to No.14 contain the standerd model.
The following items included No.15 contain the submodel and Devices.
The dimension of Collar on this Parts List shows Inside diameter X Outside diameter X Width.

Explanation of Marks (marked at the Side of Part No.)

[] means this part is changed from the previous Parts List.

Inside of [] shows the previous Part No. and the shape of screw or the like.

◆ means this part and model is added to the previons Parts List.

How to place an order for the parts

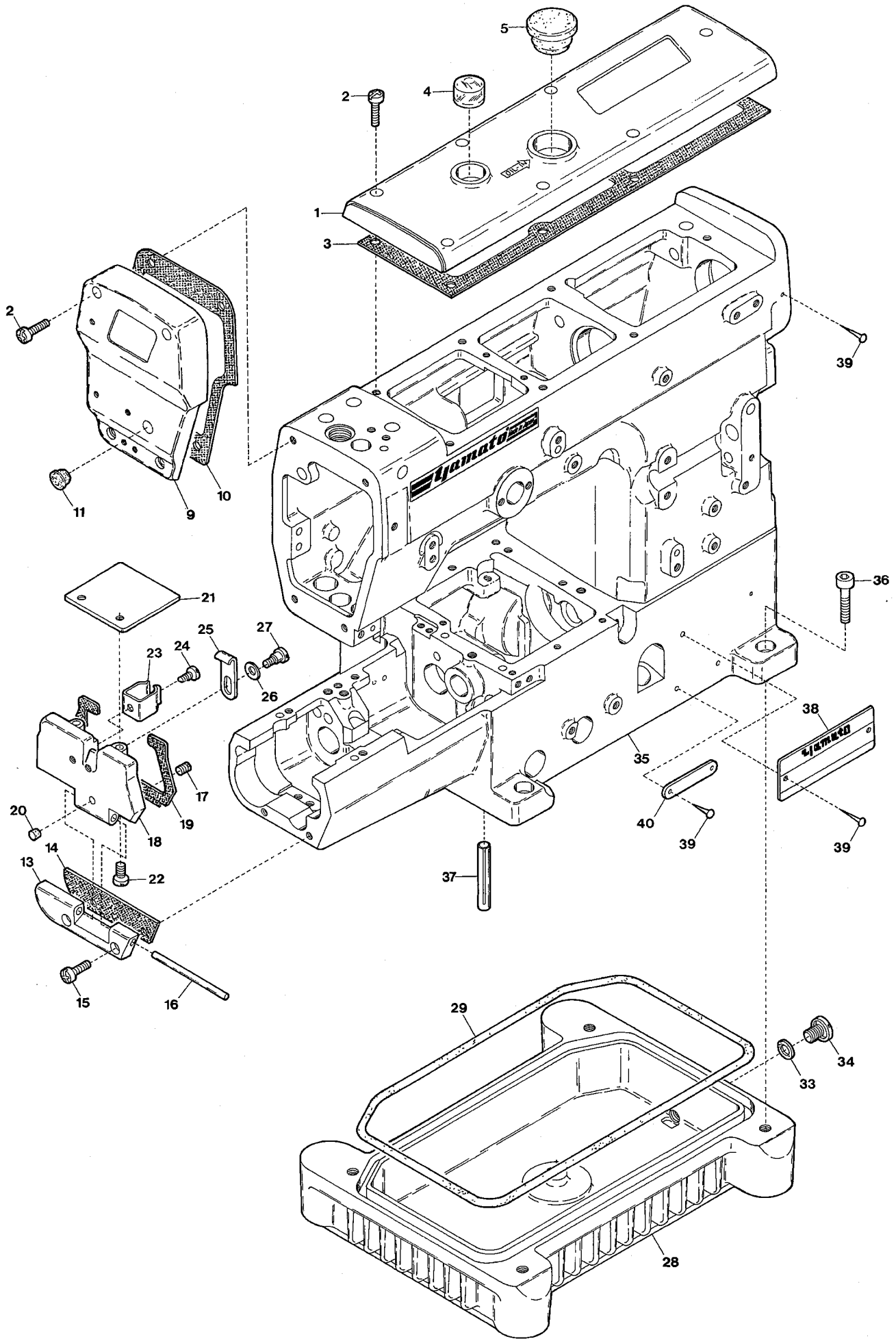
- ☆ When placing an order for the parts from this Parts List, please clearly state the Parts No. (e.g.3500201) which you require so that we can deliver the correct Parts to you.
- ☆ When the Part No. is "0068011", please place an order for the part by showing "0068011" or "68011".
- ☆ When ordering Air Tube, please inform us of the Part No. and the length.

This Parts Listis subject to change without notice.

Contents

目次

| | | |
|---|-----------------|----|
| MISCELLANEOUS COVERS(1) | カバー関係 (1) | 1 |
| MISCELLANEOUS COVERS(2) | カバー関係 (2) | 2 |
| MISCELLANEOUS THREAD EYELETS | 糸道関係 | 3 |
| MISCELLANEOUS BUSHINGS | ブッシュ関係 | 4 |
| MAIN SHAFT DRIVING MECHANISM | 下軸機構 | 5 |
| UPPER SHAFT & NEEDLE THREAD TAKE-UP MECHANISM | 上軸及び針糸繰り機構 | 6 |
| NEEDLE BAR MECHANISM | 針棒機構 | 7 |
| PRESSER FOOT MECHANISM | 押工機構 | 8 |
| SPREADER MECHANISM | 飾り糸ルーバ機構 | 9 |
| LOOPER DRIVING MECHANISM | ルーバ機構 | 10 |
| FEED DRIVING CONTROL MECHANISM | 前送り調節機構 | 11 |
| NEEDLE GUARD & FEED DRIVING MECHANISM | 針受ケ及び送り機構 | 12 |
| LUBRICATING MECHANISM(1) | 給油機構(1) | 13 |
| LUBRICATING MECHANISM(2) | 給油機構(2) | 14 |
| PULLER MECHANISM EXCLUSIVE PARTS(1) | プラー機構専用部品(1) | 15 |
| PULLER MECHANISM EXCLUSIVE PARTS(2) | プラー機構専用部品(2) | 16 |
| PULLER MECHANISM EXCLUSIVE PARTS(3) | プラー機構専用部品(3) | 17 |
| VC2713M EXCLUSIVE PARTS | サブモデル専用部品 | 18 |
| EXTRA PARTS(1) | 特注部品(1) | 19 |
| ◆ EXTRA PARTS(2) | 特注部品(2) | 20 |
| THREAD STAND & ACCESSORIES(1) | 糸立台及びアクセサリ関係(1) | 21 |
| ACCESSORIES(2) | アクセサリ関係(2) | 22 |
| WARNING LABEL | 警告ラベル | 23 |
| LIST of MAIN SPARE PARTS | 主要部品リスト | 24 |
| INDEX | 索引 | 25 |



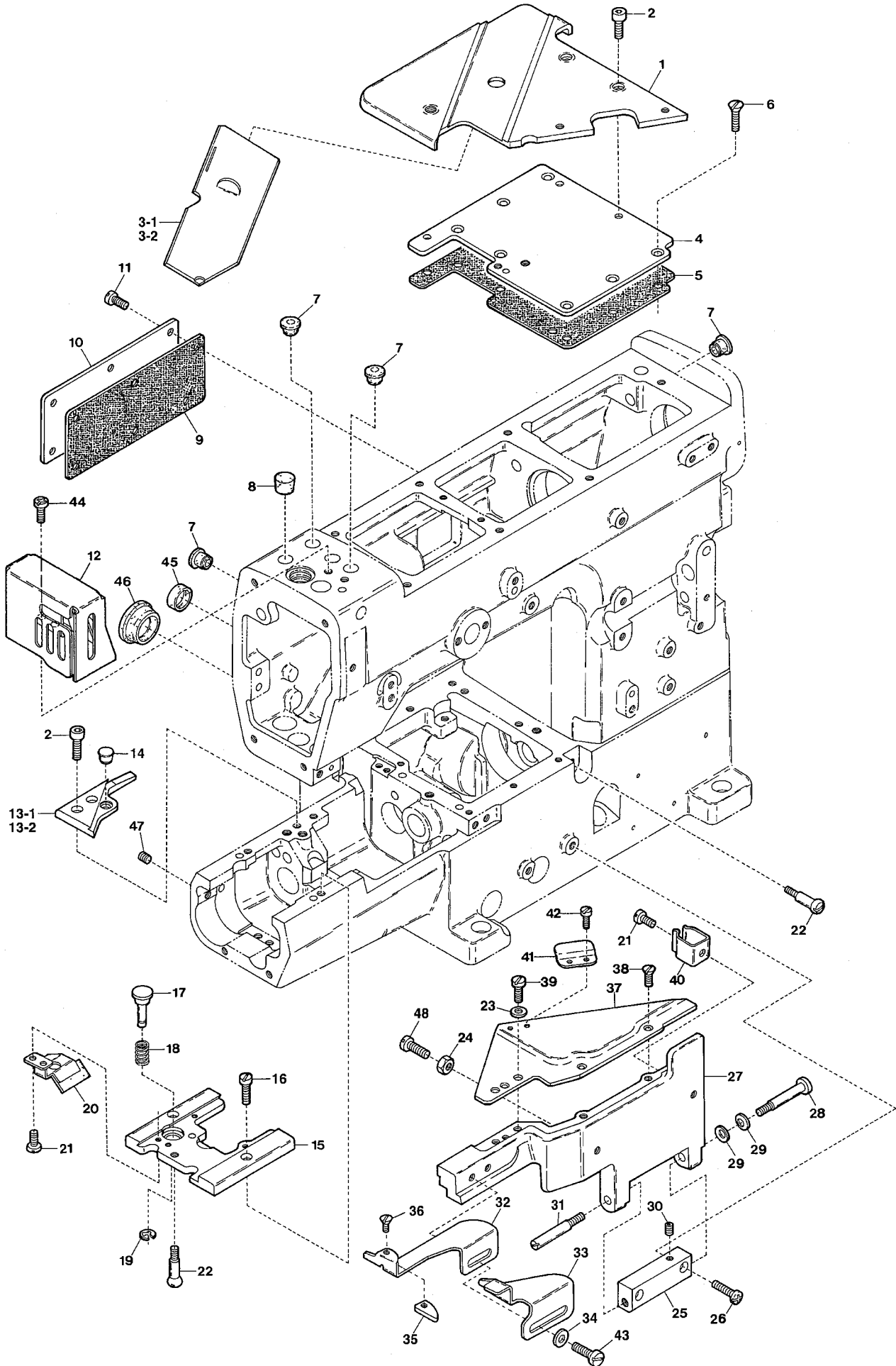
| Ref.No | Parts No. | Description | 品名 | Amt. Req |
|--------|-----------|------------------------------|---------------|----------|
| 1 | 3210002 | Top Cover | 上カバー | 1 |
| 2 | 110045 | Screw(M4-0.7 × 12) | 止ネジ | 11 |
| 3 | 3500430 | Top Cover Gasket | 上カバーパッキン | 1 |
| 4 | 0068011 | Oil Sight Window | オイル確認窓 | 1 |
| 5 | 0020759 | Top Cover Seal Plug | 上カバー詰栓 | 1 |
| 6 | | | | |
| 7 | | | | |
| 8 | | | | |
| 9 | 3204040 | Head Cover | ヘッドカバー | 1 |
| 10 | 3500431 | Head Cover Gasket | ヘッドカバーパッキン | 1 |
| 11 | 0093864 | Head Cover Seal Plug | 詰栓 | 1 |
| 12 | | | | |
| 13 | 3180023 | Side Cover Hinge | 横開キカバーヒンジ | 1 |
| 14 | 3180024 | Side Cover Hinge Gasket | 横開キカバーヒンジパッキン | 2 |
| 15 | 110048 | Screw(M4-0.7 × 10) | 止ネジ | 2 |
| 16 | 3100042 | Side Cover Hinge Pin | 横開キカバーヒンジピン | 1 |
| 17 | 160000 | Screw(M3-0.5 × 3) | 止ネジ | 1 |
| 18 | 3180025 | Side Cover | 横開キカバー | 1 |
| 19 | 3180026 | Side Cover Gasket | 横開キカバーパッキン | 1 |
| 20 | 000924 | Seal Plug(Rubber) | 詰栓(ゴム) | 1 |
| 21 | 3100045 | Cloth Plate | クロスプレート | 1 |
| 22 | 110041 | Screw(M4-0.7 × 8) | 止ネジ | 2 |
| 23 | 0094201 | Cover Latch Spring | カバーラッチバネ | 1 |
| 24 | 110012 | Screw(M4-0.7 × 5) | 止ネジ | 1 |
| 25 | 3100046 | Side Cover Hook | 横開キカバーフック | 1 |
| 26 | 300101 | Conical Spring Washer | 皿バネワッシャ | 1 |
| 27 | 170002 | Screw(M4-0.7 × 5) | 止ネジ | 1 |
| 28 | 3100004 | Oil Reservoir | 油受け | 1 |
| 29 | 3100005 | Oil Reservoir Gasket | 油受けパッキン | 1 |
| 30 | | | | |
| 31 | | | | |
| 32 | | | | |
| 33 | 0020137 | Drain Hole Seal | 油抜キネジパッキン | 1 |
| 34 | 005075 | Screw(3/8-24 × 8) | 油抜キネジ | 1 |
| 35 | 3180004 | Machine Frame Unit | アームベッド(組) | 1 |
| 36 | 120016 | Screw(M8-1.25 × 20) | 止ネジ | 4 |
| 37 | 340000 | Machine Frame Supporting Bar | ベッド支工棒 | 4 |
| 38 | 4109403 | Model Plate(See the below) | 型式板(下記参照) | 1 |
| 39 | 000726 | Rivet | 止メ鋲 | 5 |
| 40 | 2049401 | Serial Number Plate | 機番プレート | 1 |

Note : Order for Model Plate must be accompanied by model designation(including symbols of gauge and devices).

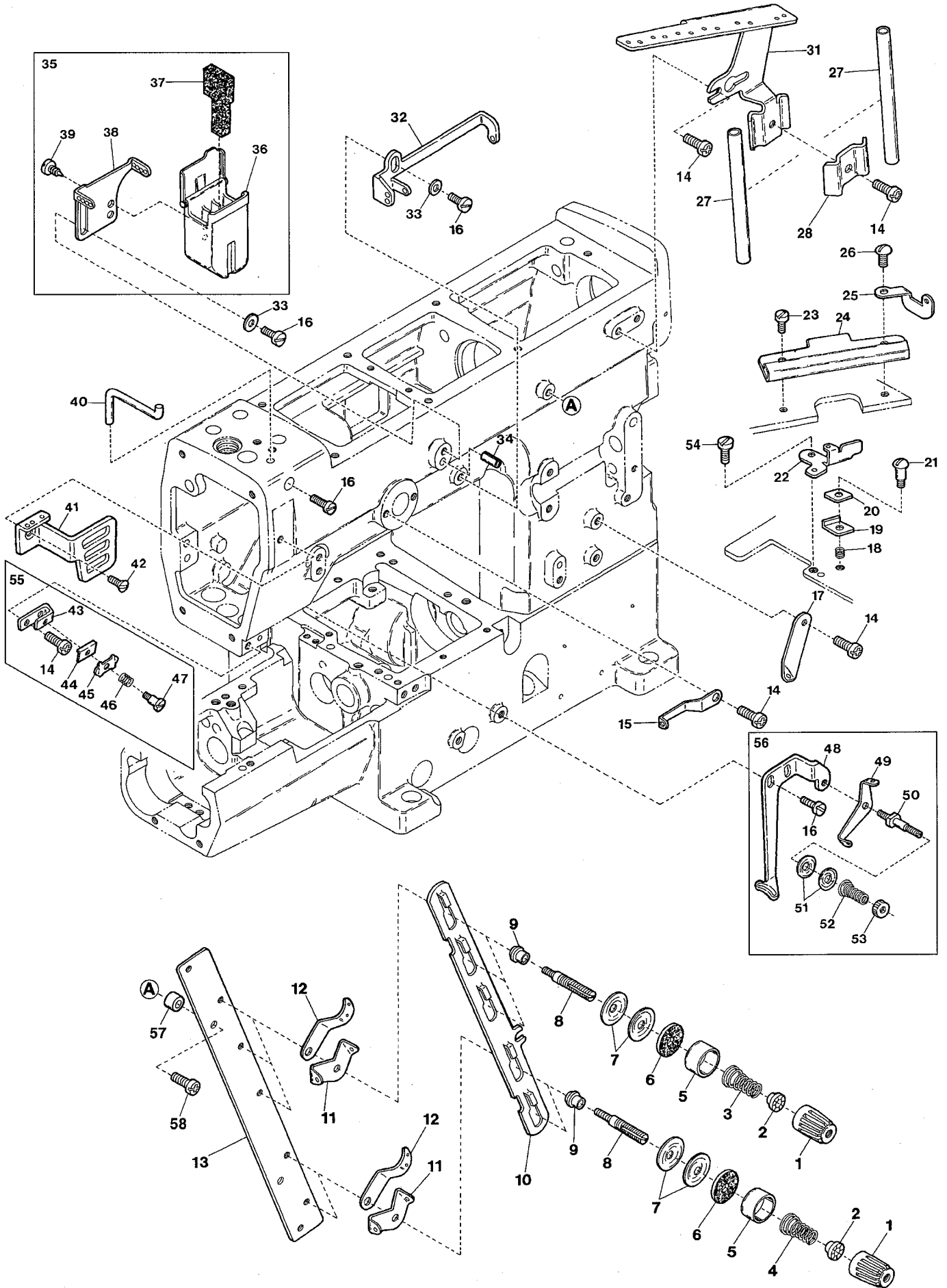
(注) 型式板を御注文の際は機種名(ゲージ記号、附帯装置含む)をお知らせください。

Note : Ref. No. 14 Side Cover Hinge Gasket is adhered with two plates.

(注) Ref. No. 14の横開キカバーヒンジパッキンは、2枚セット(接着)です。

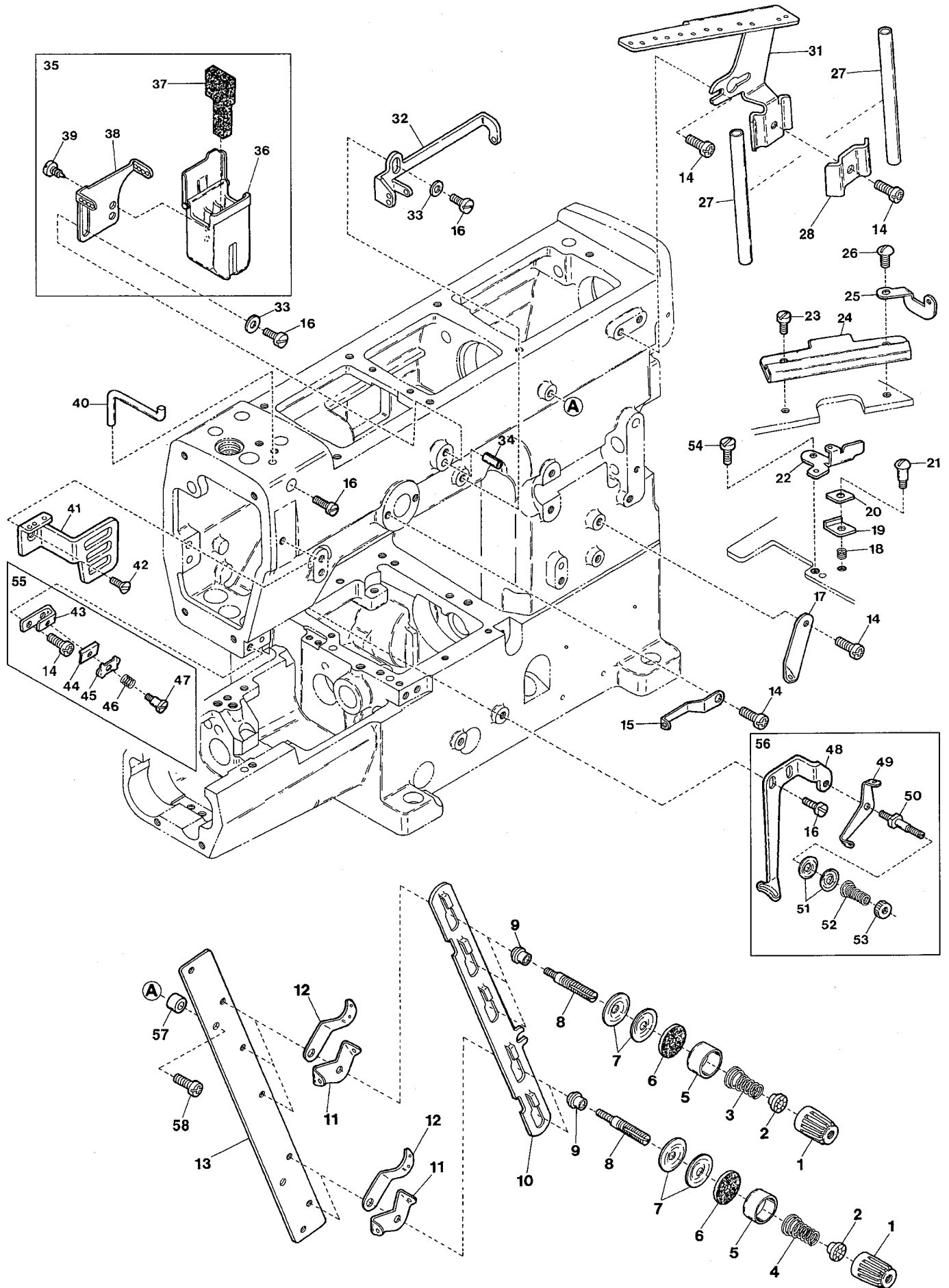


| Ref.No | Parts No. | Description | 品名 | Amt. Req |
|--------|-------------------|-----------------------------------|------------|----------|
| 1 | 3180027 | Cloth Plate(Large) | クロスプレート(大) | 1 |
| 2 | 120009 | Screw(M4-0.7 × 12) | 止ネジ | 5 |
| 3-1 | 3180037 [3100023] | Slide Cover(48, 56) | 滑り板 | 1 |
| 3-2 | 3180038 [3100400] | Slide Cover(64) | 滑り板 | 1 |
| 4 | 3100020 | Crank Chamber Cover | ナカカバー | 1 |
| 5 | 3180035 | Crank Chamber Cover Gasket | ナカカバーパッキン | 1 |
| 6 | 130003 | Screw(M1-0.7 × 7.3) | 止ネジ | 7 |
| 7 | 0093864 | Seal Plug | 詰栓 | 4 |
| 8 | 0065275 | Seal Plug | 詰栓 | 1 |
| 9 | 3500432 | Rear Cover Gasket | 後カバーパッキン | 1 |
| 10 | 3100016 | Rear Cover | 後カバー | 1 |
| 11 | 110013 | Screw(M4-0.7 × 8) | 止ネジ | 6 |
| 12 | 3100113 | Needle Bar Guard | 針棒ガード | 1 |
| 13-1 | 3180029 | Supplementary Slide Cover(48, 56) | 滑り板補助板 | 1 |
| 13-2 | 3180030 | Supplementary Slide Cover(64) | 滑り板補助板 | 1 |
| 14 | 330011 | Seal Plug | 詰栓 | 1 |
| 15 | 3100058 | Stitch Plate Support | 針板取付板 | 1 |
| 16 | 110041 | Screw(M4-0.7 × 8) | 止ネジ | 2 |
| 17 | 3100050 | Feed Regulating Pushbutton | プッシュボタン | 1 |
| 18 | 3100051 | Feed Regulating Pushbutton Spring | プッシュボタンバネ | 1 |
| 19 | 0033024 | Retaining Ring | ストップリング | 1 |
| 20 | 3100053 | Oil Defender | 油受ケ | 1 |
| 21 | 110012 | Screw(M4-0.7 × 5) | 止ネジ | 3 |
| 22 | 190005 | Screw(M4-0.7 × 5) | バネ掛ケネジ | 2 |
| 23 | 000665 | Washer | ワッシャ | 2 |
| 24 | 000015 | Nut | ナット | 1 |
| 25 | 3040040 [3180031] | Front Cover Hinge | 前開キカバーヒンジ | 1 |
| 26 | 110016 | Screw(M4-0.7 × 14) | 止ネジ | 2 |
| 27 | 3180032 | Front Cover(Lower) | 前開キカバー(下) | 1 |
| 28 | 170001 | Screw(M4-0.7 × 8) | 止ネジ | 1 |
| 29 | 300100 | Conical Spring Washer | 皿バネワッシャ | 2 |
| 30 | 160001 | Screw(M4-0.7 × 4) | 止ネジ | 1 |
| 31 | 180005 | Screw(M5-0.8 × 8) | 止ネジ | 1 |
| 32 | 3100630 | Fabric Edge Guide(Left) | 定規(左) | 1 |
| 33 | 3100631 | Fabric Edge Guide(Right) | 定規(右) | 1 |
| 34 | 000538 | Washer | ワッシャ | 2 |
| 35 | 0095367 | Fabric Edge Guide Chip | 定規チップ | 1 |
| 36 | 004182 | Screw(3/32-56 × 2.5) | 止ネジ | 1 |
| 37 | 3180033 | Front Cover(Upper) | 前開キカバー(上) | 1 |
| 38 | 130002 | Screw(M3-0.5 × 6) | 止ネジ | 3 |
| 39 | 110031 | Screw(M4-0.7 × 12) | 止ネジ | 2 |
| 40 | 0094201 | Cover Latch Spring | カバーラッチバネ | 1 |
| 41 | 3100034 | Supplementary Tension Disc Cover | 小調子皿カバー | 1 |
| 42 | 110101 | Screw(M3-0.5 × 3) | 止ネジ | 2 |
| 43 | 110009 | Screw(M4-0.7 × 8) | 止ネジ | 2 |
| 44 | 110079 | Screw(M4-0.7 × 8) | 止ネジ | 2 |
| 45 | 3100006 | Seal Plug | 詰栓 | 1 |
| 46 | 0020759 | Seal Plug | 詰栓 | 1 |
| 47 | 160015 | Screw(M6-1 × 6) | 詰ネジ | 1 |
| 48 | 110031 [110045] | Screw(M4-0.7 × 12)[M4-0.7 × 12] | 止ネジ | 1 |

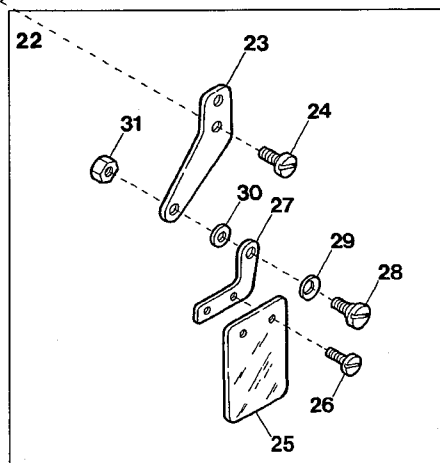
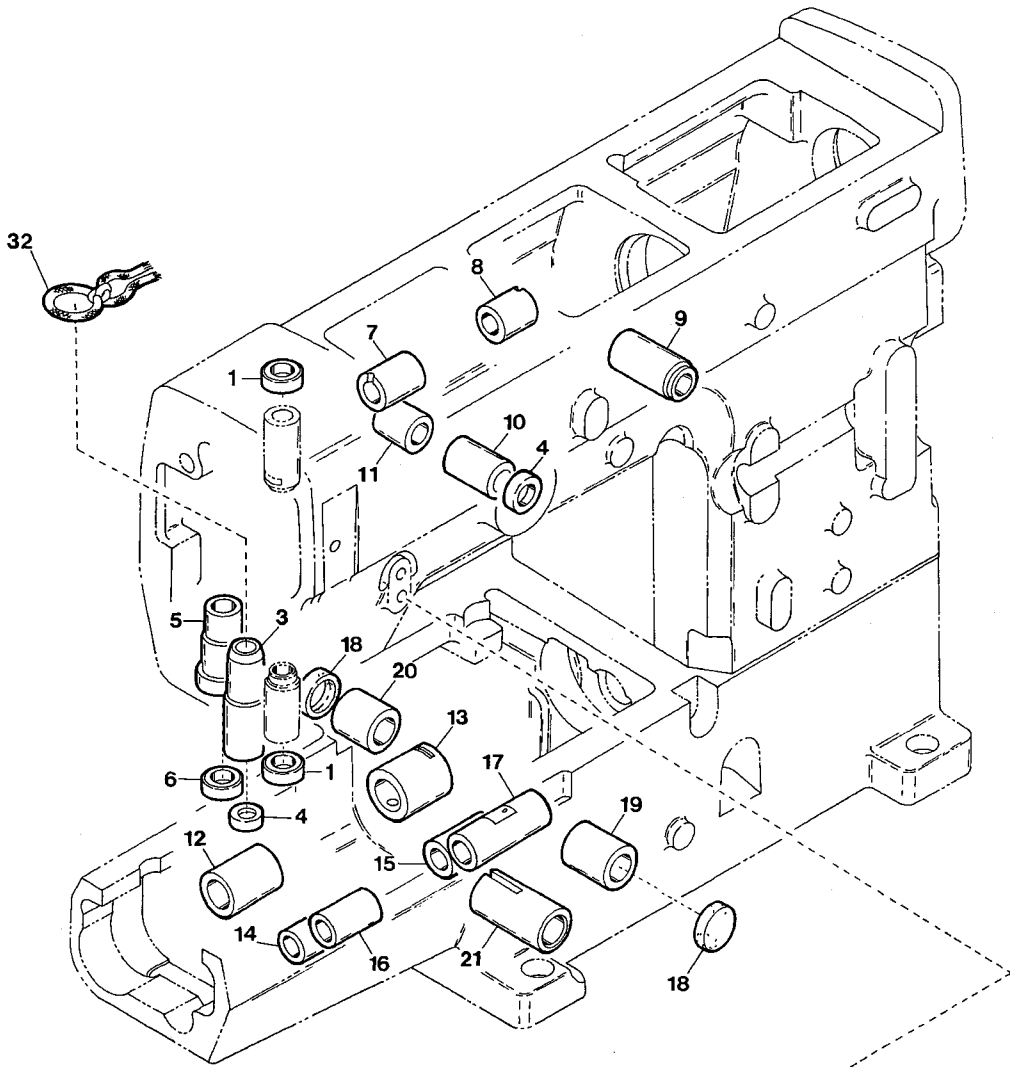


| Ref.No | Parts No. | Description | 品名 | Amt. Req |
|--------|-------------------|------------------------------------|---------------|----------|
| 1 | 0024084 | Thread Tension Spring Cap | 糸調子バネキャップ(上) | 5 |
| 2 | 0024083 | Tension Spring Bushing | 糸調子ナット回り止メ | 5 |
| 3 | 0030255 | Tension Spring(Needle) | 糸調子バネ(針) | 3 |
| 4 | 0032952 | Tension Spring (Looper, Top Cover) | 糸調子バネ(ルーパ,飾り) | 2 |
| 5 | 0090071 | Thread Tension Spring Retainer | 糸調子バネキャップ(下) | 5 |
| 6 | 000177 | Felt | フェルト | 5 |
| 7 | 0031111 | Tension Disc | 糸調子皿 | 10 |
| 8 | 290029 | Tension Post | 糸調子棒 | 5 |
| 9 | 0090812 | Tension Post Ferrule | 糸調子棒糸摺し | 5 |
| 10 | 3500287 | Tension Disc Separator | 糸緩メ板 | 1 |
| 11 | 0090856 | Tension Disc Eyelet | 糸調子皿糸道 | 5 |
| 12 | 0090807 | Thread Lead-in Guide | 糸調子台糸道 | 5 |
| 13 | 3500286 | Tension Post Support | 糸調子台 | 1 |
| 14 | 110013 | Screw(M4-0.7 × 8) | 止ネジ | 6 |
| 15 | 3200048 | Top Cover Thread Eyelet(Left) | 飾り糸道(左) | 1 |
| 16 | 110009 | Screw(M4-0.7 × 8) | 止ネジ | 5 |
| 17 | 0093556 | Looper Thread Eyelet(Long) | ルーパ糸道(長) | 1 |
| 18 | 3100088 | Supplementary Tension Spring | 小調子バネ | 1 |
| 19 | 3100085 | Supplementary Tension Disc(Lower) | 小調子皿(下) | 1 |
| 20 | 3100084 | Supplementary Tension Disc(Upper) | 小調子皿(上) | 1 |
| 21 | 170004 | Screw(M3-0.5 × 9.6) | 止ネジ | 1 |
| 22 | 3100076 | Tension Disc Guide | 小調子皿ガイド | 1 |
| 23 | 110101 | Screw(M3-0.5 × 3) | 止ネジ | 1 |
| 24 | 3100083 | Looper Thread Guard | ルーパ糸道ガード | 1 |
| 25 | 3100082 | Looper Thread Eyelet(Center) | ルーパ糸道(中) | 1 |
| 26 | 110100 | Screw(M3-0.5 × 6) | 止ネジ | 1 |
| 27 | 0020119 | Thread Eyelet Pipe | 糸道パイプ | 2 |
| 28 | 3500285 | Thread Eyelet Pipe Holder | 糸道パイプ押エ | 1 |
| 29 | | | | |
| 30 | | | | |
| 31 | 3500284 | Thread Guide Plate | 糸案内板 | 1 |
| 32 | 3200047 | Top Cover Thread Eyelet(Right) | 飾り糸道(右) | 1 |
| 33 | 000538 | Washer | ワッシャ | 2 |
| 34 | 000651 | Guide Pin | ガイドピン | 1 |
| 35 | 3100383 | SP Device, Complete Set | SP装置(組) | 1 |
| 36 | 3100384 | SP Container | SPタンク | 1 |
| 37 | 3100386 | Felt | SPフェルト | 1 |
| 38 | 3100387 [0093521] | Needle Thread Eyelet | 針糸道 | 1 |
| 39 | 350009 | Wood Screw(φ 5.5 × 6) | 木ネジ | 2 |
| 40 | 0090068 | Needle Thread Guide | 針糸受ケ | 1 |

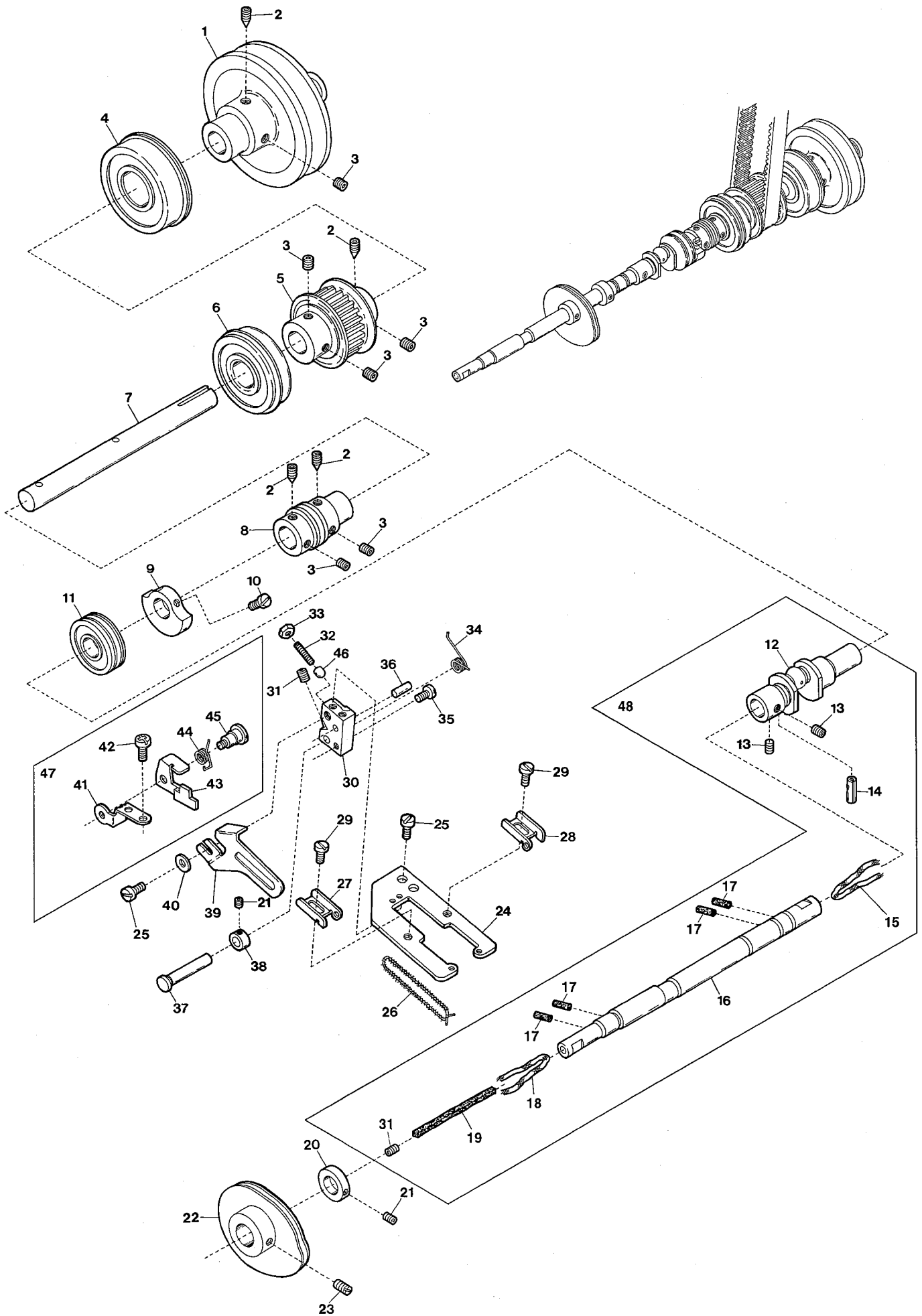
Ref. No 41 to 58 See the following page.



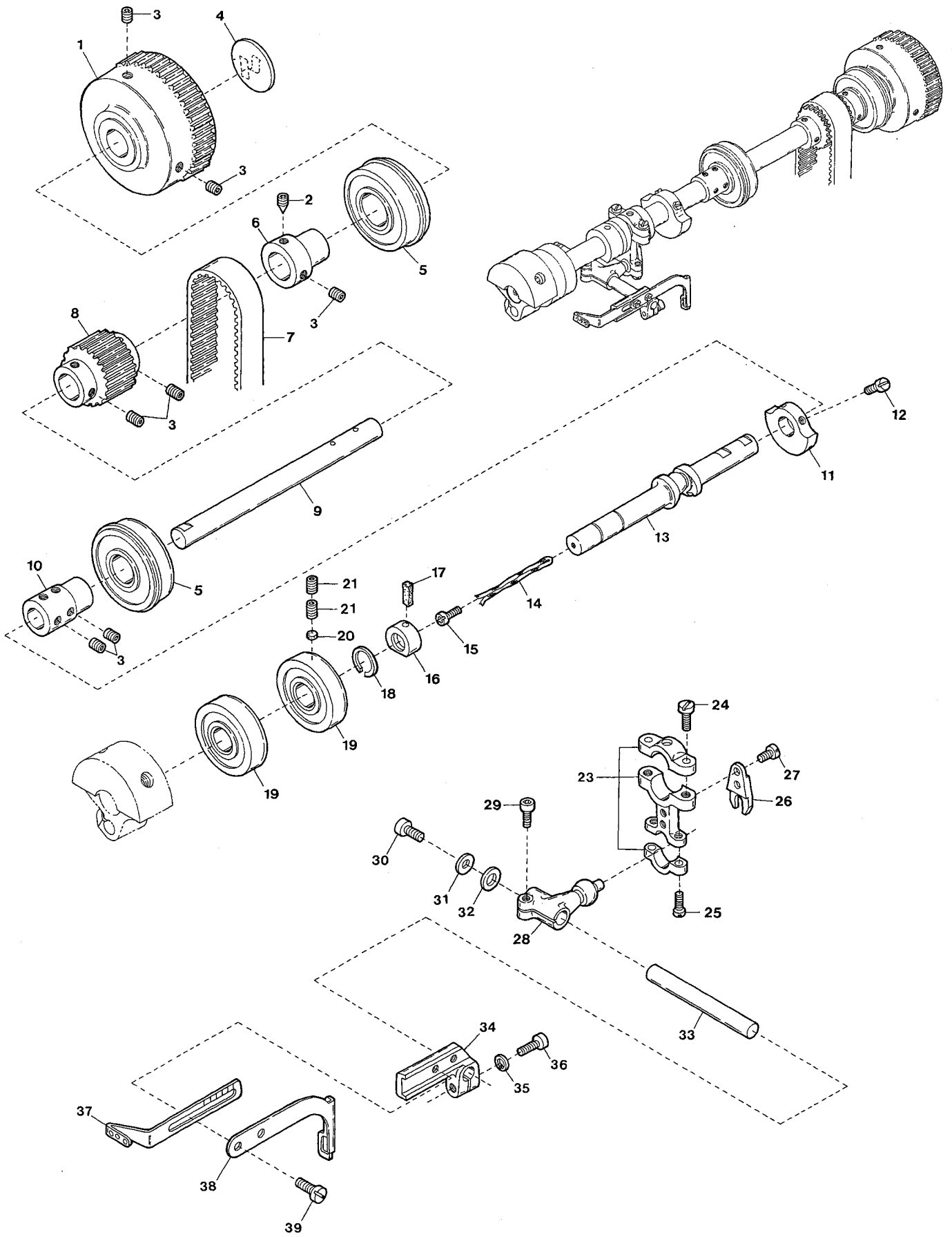
| Ref.No | Parts No. | Description | 品 名 | Amt. Req |
|--------|-----------------|--|----------|----------|
| 41 | 3100442 | Needle Thread Take-up Guard | 針糸繰りガード | 1 |
| 42 | 130003 | Screw(M4-0.7 × 4.5) | 止ネジ | 1 |
| 43 | 3100087 | Needle Thread Retainer Support | 小調子台 | 1 |
| 44 | 0036175 | Thread Retainer Disc Support | 小調子板 | 1 |
| 45 | 0032425 | Needle Thread Retainer Dice | 小調子皿 | 1 |
| 46 | 0032426 | Needle Thread Retainer Spring | 小調子バネ | 1 |
| 47 | 001093 | Screw(1/8-44 × 2.2) | 止ネジ | 1 |
| 48 | 3100081 | Top Cover Thread Guide | 飾り糸案内 | 1 |
| 49 | 0063074 | Supplementary Thread Guide | 小調子台糸道 | 1 |
| 50 | 001818 | Tension Post | 糸調子棒 | 1 |
| 51 | 0037108 | Supplementary Tension Disc | 小調子皿 | 2 |
| 52 | 0035813 | Supplementary Tension Spring | 飾り糸調子バネ | 1 |
| 53 | 000360 | Nut | ナット | 1 |
| 54 | 110054 | Screw(M3-0.5 × 3.5) | 止ネジ | 1 |
| 55 | 3103000 | Needle Thread Retainer Support, C. Set | 小調子台(組) | 1 |
| 56 | 3103001 | Top Cover Thread Guide, C. Set | 飾り糸案内(組) | 1 |
| 57 | 000505 ◆ | Spacer | スペーサ | 2 |
| 58 | 110014 [110013] | Screw(M4-0.7 × 18)[M4-0.7 × 8] | 止ネジ | 2 |



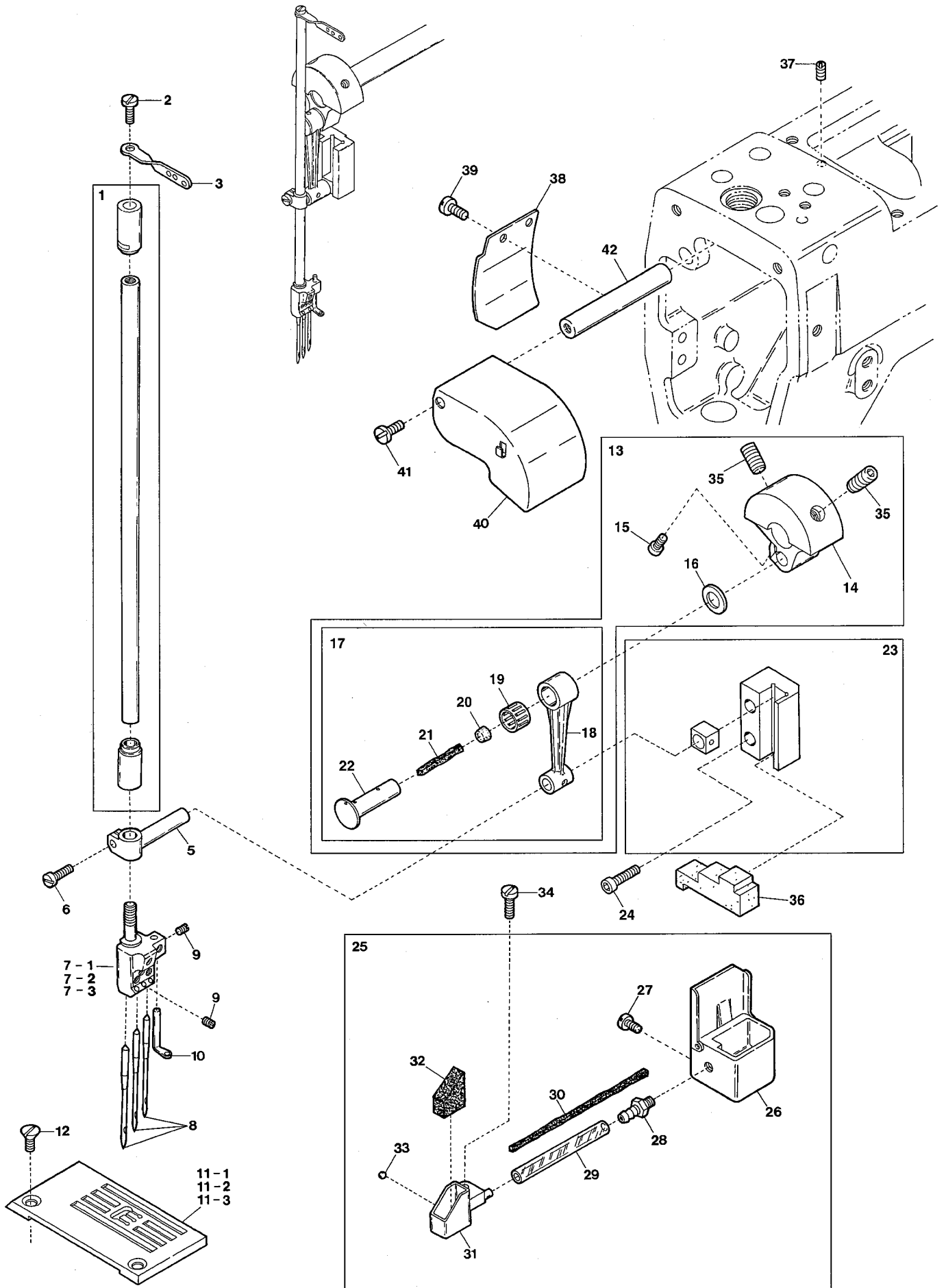
| Ref.No | Parts No. | Description | 品名 | Amt. Req |
|--------|-------------------|--|----------------|----------|
| 1 | 3500309 [3204020] | Oil Seal | オイルシール | 2 |
| 2 | | | | |
| 3 | 3100099 | Presser Bar Bushing | 押工棒ブッシュ | 1 |
| 4 | 3204021 | Oil Seal | オイルシール | 2 |
| 5 | 3100100 | Spreader Driving Bar Bushing | 飾り糸ルーバ棒ブッシュ | 1 |
| 6 | 0063055 | Oil Seal | オイルシール | 1 |
| 7 | 3200063 | Spreader Driving Shaft Bushing(Left) | 飾り糸ルーバ軸ブッシュ(左) | 1 |
| 8 | 3200064 | Spreader Driving Shaft Bushing(Right) | 飾り糸ルーバ軸ブッシュ(右) | 1 |
| 9 | 3160136 | Foot Lifter Lever Bushing | 押工揚ゲ軸ブッシュ | 1 |
| 10 | 3200068 [0093201] | Needle Thread Take-up Bushing(Front) | 針糸繰り軸ブッシュ(前) | 1 |
| 11 | 3100098 | Needle Thread Take-up Bushing(Rear) | 針糸繰り軸ブッシュ(後) | 1 |
| 12 | 3100090 | Lower Shaft Bushing(Left) | 下軸ブッシュ(左) | 1 |
| 13 | 3100091 | Lower Shaft Bushing(Right) | 下軸ブッシュ(右) | 1 |
| 14 | 3100094 | Differential Feed Bar Shaft Bushing(Left) | 前送り軸ブッシュ(左) | 1 |
| 15 | 3100095 | Differential Feed Bar Shaft Bushing(Right) | 前送り軸ブッシュ(右) | 1 |
| 16 | 3100096 | Feed Bar Lift Shaft Bushing(Left) | 送り上下軸ブッシュ(左) | 1 |
| 17 | 3100097 | Feed Bar Lift Shaft Bushing(Right) | 送り上下軸ブッシュ(右) | 1 |
| 18 | 3100006 | Seal Plug | 詰栓 | 2 |
| 19 | 3100092 | Looper Driving Shaft Bushing(Front) | ルーバ軸ブッシュ(前) | 1 |
| 20 | 3100093 | Looper Driving Shaft Bushing(Rear) | ルーバ軸ブッシュ(後) | 1 |
| 21 | 3150020 | Adjusting Screw Bushing | 前送り調節ネジブッシュ | 1 |
| 22 | 3101199 | Eye Guard, Complete Set | アイガード(組) | 1 |
| 23 | 3101200 | Eye Guard Support | アイガード取付板 | 1 |
| 24 | 009784 | Screw(M6-1 × 10) | 止ネジ | 2 |
| 25 | 0060176 | Eye Guard | アイガード | 1 |
| 26 | 004236 | Screw(3/32-56 × 4.2) | 止ネジ | 2 |
| 27 | 0060175 | Eye Guard Holder | アイガードホルダ | 1 |
| 28 | 006004 | Screw(1 1/64-40 × 9.7) | 止ネジ | 1 |
| 29 | 000010 | Conical Spring Washer | 皿バネワッシャ | 1 |
| 30 | 000547 | Washer | ワッシャ | 1 |
| 31 | 000334 | Nut | ナット | 1 |
| 32 | 000195 | Oil Wick | 油芯 | 1 |



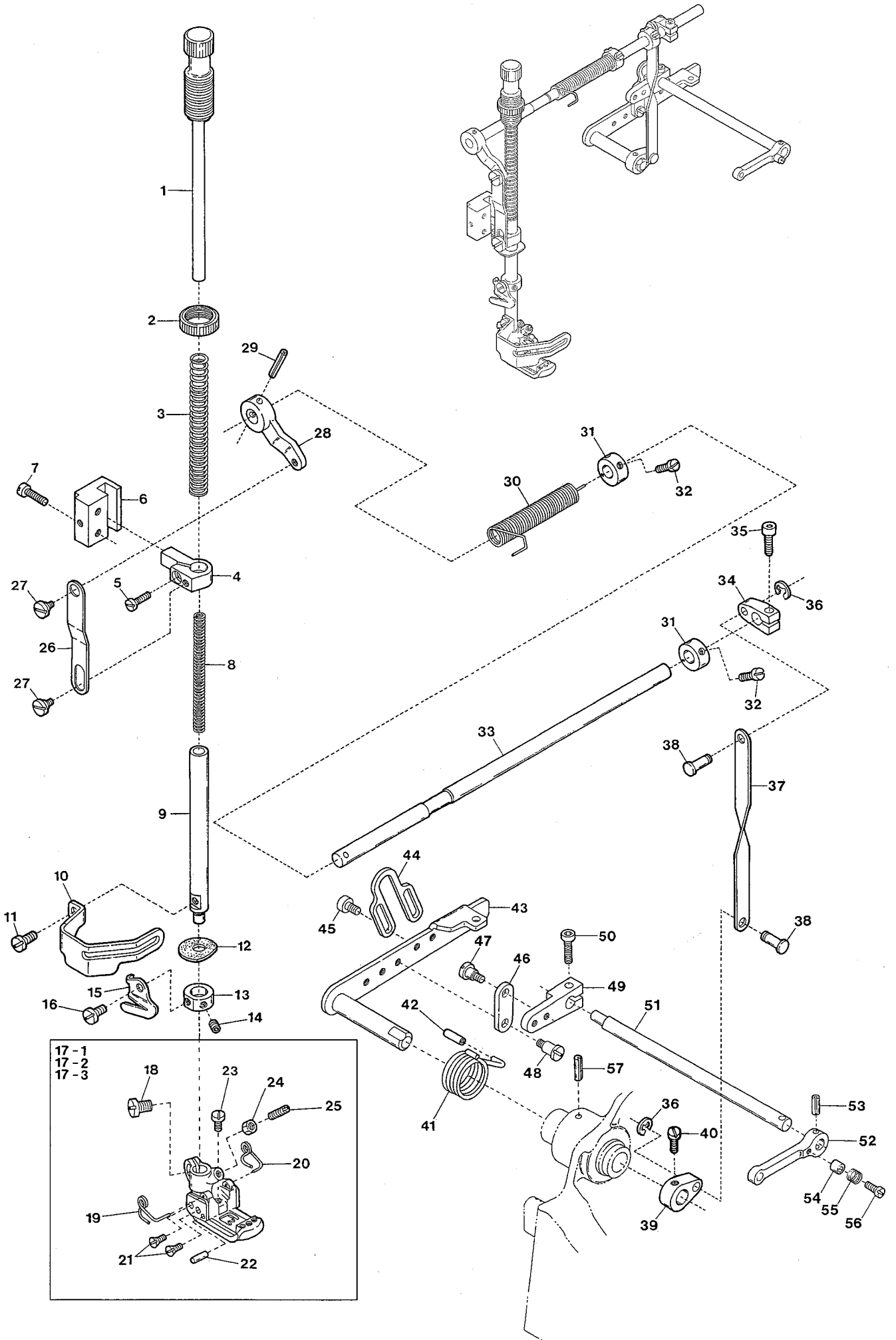
| Ref.No | Parts No. | Description | 品名 | Amt. Req |
|--------|-----------------|--------------------------------|-------------|----------|
| 1 | 3100130 | Pulley | プーリ | 1 |
| 2 | 160005 | Screw(M6-1 × 8) | 止ネジ | 4 |
| 3 | 160007 | Screw(M6-1 × 6) | 止ネジ | 6 |
| 4 | 0093089 | Ball Bearing(Right) | ボールベアリング(右) | 1 |
| 5 | 3100128 | Main Shaft Sprocket(Lower) | ベルトプーリ(下) | 1 |
| 6 | 3100131 | Ball Bearing(Middle) | ボールベアリング(中) | 1 |
| 7 | 3100132 | Lower Shaft(Right) | 下軸(右) | 1 |
| 8 | 3100122 | Oil Pump Driving Worm | ウオーム | 1 |
| 9 | 3100127 | Counterweight(Small) | バランスウエイト(小) | 1 |
| 10 | 110009 | Screw(M4-0.7 × 8) | 止ネジ | 2 |
| 11 | 3100123 | Ball Bearing(Left) | ボールベアリング(左) | 1 |
| 12 | 3100121 | Lower Crankshaft | 下軸クランク | 1 |
| 13 | 160004 | Screw(M6-1 × 4.8) | 止ネジ | 2 |
| 14 | 001107 | Roll Pin | ロールピン | 1 |
| 15 | 310132 [310093] | Oil Wick(No.4-190mm) | 油芯 | 1 |
| 16 | 3180060 | Lower Shaft(Left) | 下軸(左) | 1 |
| 17 | 000397 | Oil Wick | 油芯 | 4 |
| 18 | 310093 ◆ | Oil Wick(No.3-40mm) | 油芯 | 1 |
| 19 | 000304 | Oil Wick | 油芯 | 1 |
| 20 | 3100126 | Collar(14 × 21 × 5.5mm) | カラー | 1 |
| 21 | 160000 | Screw(M3-0.5 × 3) | 止ネジ | 2 |
| 22 | 3100125 | Looper Thread Take-up | 下糸調子カム | 1 |
| 23 | 150000 | Screw(M5-0.8 × 4) | 止ネジ | 2 |
| 24 | 3100263 | Supporting Plate | カム糸道取付板 | 1 |
| 25 | 110002 | Screw(M3-0.5 × 5) | 止ネジ | 3 |
| 26 | 000463 | Laced Wire | モール(糸巻き付防止) | 1 |
| 27 | 3100264 | Thread Take-up Eyelet(Left) | カム糸道(左) | 1 |
| 28 | 3100265 | Thread Take-up Eyelet(Right) | カム糸道(右) | 1 |
| 29 | 110027 | Screw(M2.5-0.45 × 3.5) | 止ネジ | 2 |
| 30 | 3100262 | Supporting Plate Basement | カム糸道取付台 | 1 |
| 31 | 160001 | Screw(M4-0.7 × 4) | 止ネジ | 2 |
| 32 | 160008 | Stop Screw(M6-1 × 35) | ストップネジ | 1 |
| 33 | 000234 | Lock Nut | ロックナット | 1 |
| 34 | 3100267 | Supporting Plate Return Spring | 戻シバネ | 1 |
| 35 | 110026 | Screw(M3-0.6 × 6) | 止ネジ | 1 |
| 36 | 340004 | Pin | ピン | 1 |
| 37 | 3100260 | Basement Shaft | 取付台軸 | 1 |
| 38 | 3100261 | Collar(6 × 11 × 5mm) | カラー | 1 |
| 39 | 3100266 | Cast-off Plate | 糸案内 | 1 |
| 40 | 000531 | Washer | ワッシャ | 1 |
| 41 | 3100268 | Stop Bracket | ストップ台 | 1 |
| 42 | 110013 | Screw(M4-0.7 × 8) | 止ネジ | 2 |
| 43 | 3100270 | Supporting Plate Stop | 取付板ストップ | 1 |
| 44 | 3100269 | Stop Spring | 取付板ストップバネ | 1 |
| 45 | 170003 | Screw(M3-0.5 × 3) | 止ネジ | 1 |
| 46 | 3100272 | Basement Cushion | 取付台クッション | 1 |
| 47 | 3100271 | Supporting Plate Stop, C. Set | 取付板ストップ(組) | 1 |
| 48 | 3180059 | Lower Shaft, C. Set | 下軸(組) | 1 |



| Ref.No | Parts No. | Description | 品名 | Amt. Req |
|--------|-----------|-----------------------------|-------------|----------|
| 1 | 6100709 | Handwheel | ハンドホイール | 1 |
| 2 | 160005 | Screw(M6-1 × 8) | 止ネジ | 1 |
| 3 | 160007 | Screw(M6-1 × 6) | 止ネジ | 11 |
| 4 | 000989 | Handwheel Mark | ハンドホイールマーク | 1 |
| 5 | 3100131 | Ball Bearing | ボールベアリング | 2 |
| 6 | 3100129 | Handwheel Adapter | アダプタ | 1 |
| 7 | 0095214 | Timing Belt | タイミングベルト | 1 |
| 8 | 3100281 | Upper Shaft Sprocket(Upper) | ベルトプーリ(上) | 1 |
| 9 | 3100275 | Upper Shaft(Right) | 上軸(右) | 1 |
| 10 | 3100283 | Upper Shaft Joint | 上軸継手 | 1 |
| 11 | 3100127 | Counterweight(Small) | バランスウエイト(小) | 1 |
| 12 | 110009 | Screw(M4-0.7 × 8) | 止ネジ | 2 |
| 13 | 3200100 | Upper Crankshaft | 上軸クランク | 1 |
| 14 | 310040 | Oil Wick | 油芯 | 1 |
| 15 | 110012 | Screw(M4-0.7 × 4) | 詰ネジ | 1 |
| 16 | 3200226 | Oil Sleeve | オイルスリーブ | 1 |
| 17 | 000290 | Oil Wick | 油芯 | 1 |
| 18 | 0060057 | Retaining Ring | 止メ輪 | 1 |
| 19 | 0093154 | Ball Bearing | ボールベアリング | 2 |
| 20 | 000926 | Rubber Seat | ゴム座 | 1 |
| 21 | 160004 | Screw(M6-1 × 4.8) | 止ネジ | 2 |
| 22 | | | | |
| 23 | 0095170 | Connecting Rod | 針糸繰りロッド | 1 |
| 24 | 005071 | Screw(11/64-32 × 14) | 止ネジ | 2 |
| 25 | 001174 | Screw(9/64-40 × 10.3) | 止ネジ | 2 |
| 26 | 0095168 | Guide Fork | 振り止め | 1 |
| 27 | 004312 | Screw(1/8-44 × 7.9) | 止ネジ | 2 |
| 28 | 3100285 | Driving Lever | 針糸繰り軸腕 | 1 |
| 29 | 120013 | Screw(M6-1 × 15) | 止ネジ | 1 |
| 30 | 120015 | Screw(M5-0.8 × 10) | 止ネジ | 1 |
| 31 | 000555 | Washer | ワッシャ | 1 |
| 32 | 3100286 | Spacer | スペーサ | 1 |
| 33 | 3100287 | Driving Shaft | 針糸繰り軸 | 1 |
| 34 | 3100078 | Bracket | 針糸繰り台 | 1 |
| 35 | 000600 | Spring Washer | スプリングワッシャ | 1 |
| 36 | 005650 | Screw(M5-0.8 × 14) | 止ネジ | 1 |
| 37 | 0063096 | Needle Thread Take-up | 針糸繰り糸道 | 1 |
| 38 | 3200049 | Top Cover Thread Take-up | 飾り糸繰り | 1 |
| 39 | 110004 | Screw(M3.5-0.6 × 8) | 止ネジ | 2 |

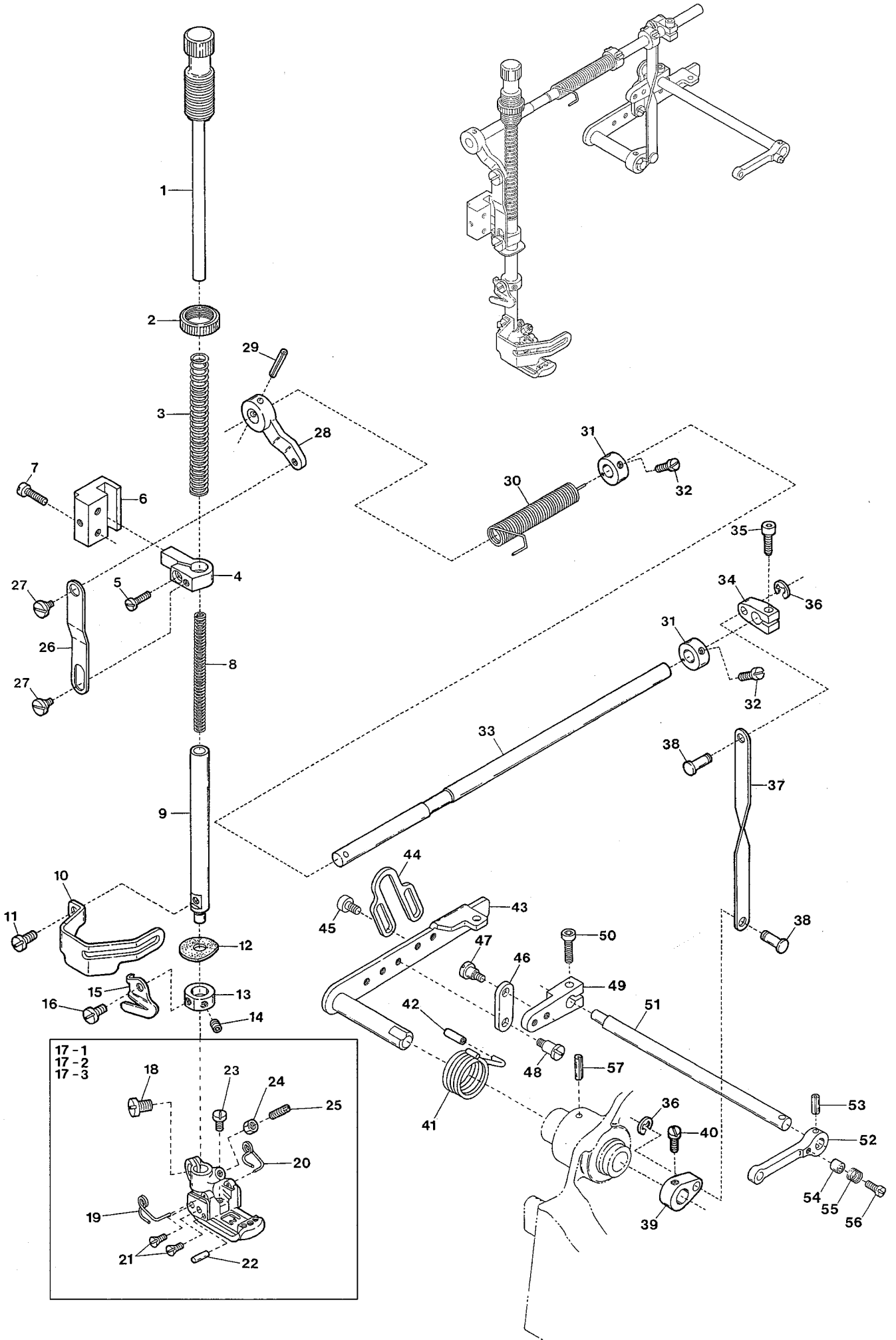


| Ref.No | Parts No. | Description | 品名 | Amt. Req |
|--------|-------------------|---|--------------|----------|
| 1 | 3270015 [3180050] | Needle Bar & Needle Bar Bushing, C. Set | 針棒・針棒ブッシュ(組) | 1 |
| 2 | 004358 | Screw(9/64-40 × 5.6) | 止ネジ | 1 |
| 3 | 0063044 | Needle Bar Thread Eyelet | 針棒糸道 | 1 |
| 4 | 000548 | Washer | ワッシャ | 1 |
| 5 | 3200111 [0093184] | Needle Bar Bracket | 針棒抱キ | 1 |
| 6 | 110035 [002043] | Screw(M4-0.7 × 10)[11/64-40 × 11] | 止ネジ | 1 |
| 7-1 | 0093356 | Needle Clamp(48) | 針止メ | 1 |
| 7-2 | 0093357 | Needle Clamp(56) | 針止メ | 1 |
| 7-3 | 0093358 | Needle Clamp(64) | 針止メ | 1 |
| 8 | | Needle(UY128 GAS) | 針 | 3 |
| 9 | 001900 | Screw(1/8-44 × 2.4) | 止ネジ | 4 |
| 10 | 0093365 | Top Cover Thread Eyelet | 飾り糸道 | 1 |
| 11-1 | 3108133 | Stitch Plate(48M) | 針板 | 1 |
| 11-2 | 3108134 | Stitch Plate(56M) | 針板 | 1 |
| 11-3 | 3108135 | Stitch Plate(64M) | 針板 | 1 |
| 12 | 009142 | Screw(9/64-40 × 4.8) | 止ネジ | 2 |
| 13 | 3200115 | Counterweight, Complete Set | バランスウエイト(組) | 1 |
| 14 | 3200101 | Counterweight | バランスウエイト | 1 |
| 15 | 120015 | Screw(M5-0.8 × 10) | 止ネジ | 1 |
| 16 | 0093214 | Connecting Rod Ring | 針棒ロッドリング | 1 |
| 17 | 3200114 | Connecting Rod, Complete, Set | 針棒ロッド(組) | 1 |
| 18 | 3200112 | Connecting Rod | 針棒ロッド | 1 |
| 19 | 0093212 | Roller Bearing | ニードルベアリング | 1 |
| 20 | 330000 | Seal Plug | 詰栓 | 1 |
| 21 | 000309 [000321] | Oil Wick | 油芯 | 1 |
| 22 | 3200113 | Connecting Rod Pin | 針棒ロッドピン | 1 |
| 23 | 3200118 | Needle Bar Guide, C. Set | 針棒案内(組) | 1 |
| 24 | 009749 | Screw(M4-0.7 × 16) | 止ネジ | 2 |
| 25 | 3100256 | HR Device, Complete Set | HR装置(組) | 1 |
| 26 | 3100254 | HR Container | HRタンク | 1 |
| 27 | 110013 | Screw(M4-0.7 × 8) | 止ネジ | 2 |
| 28 | 1090190 | Pipe Joint | パイプ継手 | 1 |
| 29 | 3100253 | Oil Tube | 給油パイプ | 1 |
| 30 | 310007 | Felt | フェルト | 1 |
| 31 | 3100250 | HR Cup | HRカップ | 1 |
| 32 | 310006 | HR Felt | HRフェルト | 1 |
| 33 | 000637 | Seal Plug | 詰栓 | 1 |
| 34 | 110013 | Screw(M4-0.7 × 8) | 止ネジ | 1 |
| 35 | 260000 | Screw(5/16-24 × 15.88) | 止ネジ | 2 |
| 36 | 3100338 | Sponge | 給油スポンジ | 1 |
| 37 | 160023 | Screw(M4-0.7 × 4) | 止ネジ | 1 |
| 38 | 3200089 | Connecting Rod Cover(Rear) | 針棒ロッドカバー(後) | 1 |
| 39 | 110002 | Screw(M3-0.5 × 5) | 止ネジ | 2 |
| 40 | 3200088 | Connecting Rod Cover(Front) | 針棒ロッドカバー(前) | 1 |
| 41 | 110012 | Screw(M4-0.7 × 5) | 止ネジ | 1 |
| 42 | 3200090 | Connecting Rod Cover Shaft | カバー軸 | 1 |

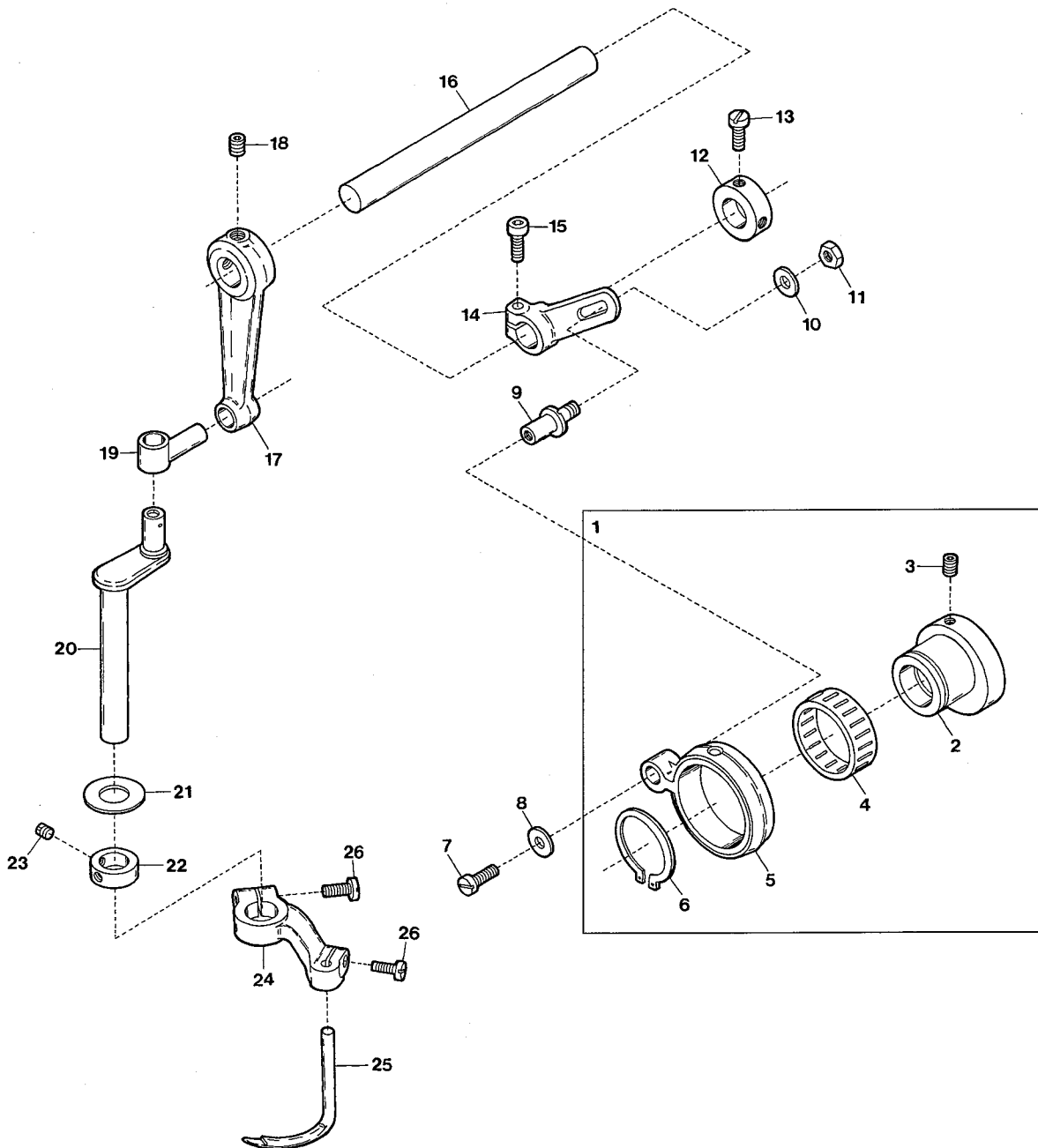
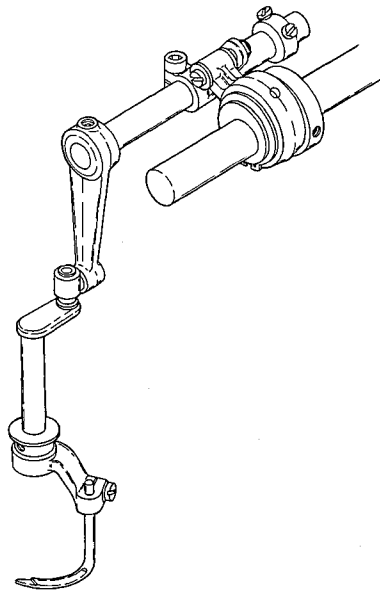


| Ref.No | Parts No. | Description | 品名 | Amt. Req |
|--------|-----------|--|------------|----------|
| 1 | 0077270 | Presser Spring Regulator | 押工調節ネジ | 1 |
| 2 | 000445 | Lock Nut | ロックナット | 1 |
| 3 | 0065372 | Presser Bar Spring(Outer) | 押工棒バネ(太) | 1 |
| 4 | 0063087 | Presser Bar Connecting Bracket | 押工棒抱キ | 1 |
| 5 | 004440 | Screw(11/64-40 × 8.3) | 止ネジ | 1 |
| 6 | 0093483 | Presser Bar Guide | 押工棒案内 | 1 |
| 7 | 004441 | Screw(11/64-40 × 16) | 止ネジ | 2 |
| 8 | 0060142 | Presser Bar Spring(Inner) | 押工棒バネ(細) | 1 |
| 9 | 3100110 | Presser Bar | 押工棒 | 1 |
| 10 | 3100112 | Finger Guard | フィンガガード | 1 |
| 11 | 110002 | Screw(M3-0.5 × 5) | 止ネジ | 1 |
| 12 | 0093611 | Oil Protector Ring | 油切りリング | 1 |
| 13 | 3100310 | Collar(9 × 17 × 7mm) | カラー | 1 |
| 14 | 160001 | Screw(M4-0.7 × 4) | 止ネジ | 1 |
| 15 | 0020271 | Thread Chain Cutting Knife | チェーンカッタ | 1 |
| 16 | 110054 | Screw(M3-0.52 × 3.5) | 止ネジ | 1 |
| 17-1 | 3507050 | Presser Foot, Complete Set(48) | 押工(組) | 1 |
| 17-2 | 3507052 | Presser Foot, Complete Set(56) | 押工(組) | 1 |
| 17-3 | 3507054 | Presser Foot, Complete Set(64) | 押工(組) | 1 |
| 18 | 110004 | Screw(M3.5-0.6 × 8) | 止ネジ | 1 |
| 19 | 3107303 | Presser Foot Spring(Left) | 小押工バネ(左) | 1 |
| 20 | 3107304 | Presser Foot Spring(Right) | 小押工バネ(右) | 1 |
| 21 | 130016 | Screw(M2.5-0.45 × 6) | 止ネジ | 4 |
| 22 | 3107306 | Presser Foot Hinge Pin | 押工ヒンジピン | 1 |
| 23 | 110084 | Screw(M3.5-0.5 × 4.2) | 止ネジ | 1 |
| 24 | 000327 | Lock Nut | ロックナット | 1 |
| 25 | 260006 | Adjusting Screw(1/8-44 × 9.5) | 調節ネジ | 1 |
| 26 | 0093487 | Lifter Link | 吊りリンク | 1 |
| 27 | 006038 | Screw(3/16-32 × 2.2) | 止ネジ | 2 |
| 28 | 0063083 | Lifter Link Lever | 吊りリンクレバー | 1 |
| 29 | 000690 | Fastener Pin | 止メピン | 1 |
| 30 | 0063084 | Lifter Spring | 押工揚ゲバネ | 1 |
| 31 | 0093491 | Collar(8 × 16 × 8mm) | カラー | 2 |
| 32 | 009604 | Screw(11/64-40 × 5.5) | 止ネジ | 4 |
| 33 | 0093479 | Lifter Shaft | 押工揚ゲ軸 | 1 |
| 34 | 3100294 | Intermediate Lever | 押工揚ゲ中レバー | 1 |
| 35 | 120017 | Screw(M5-0.8 × 15) | 止ネジ | 1 |
| 36 | 0077179 | Retaining Ring | ストップリング | 2 |
| 37 | 0093507 | Connecting Plate | 連結桿 | 1 |
| 38 | 0093509 | Connecting Pin | 連結ピン | 2 |
| 39 | 0093508 | Lifter Lever(Small) | 押工揚ゲレバー(小) | 1 |
| 40 | 004591 | [009200] Screw(15/64-28 × 9.5)[15/64-28 × 9.5] | 止ネジ | 1 |

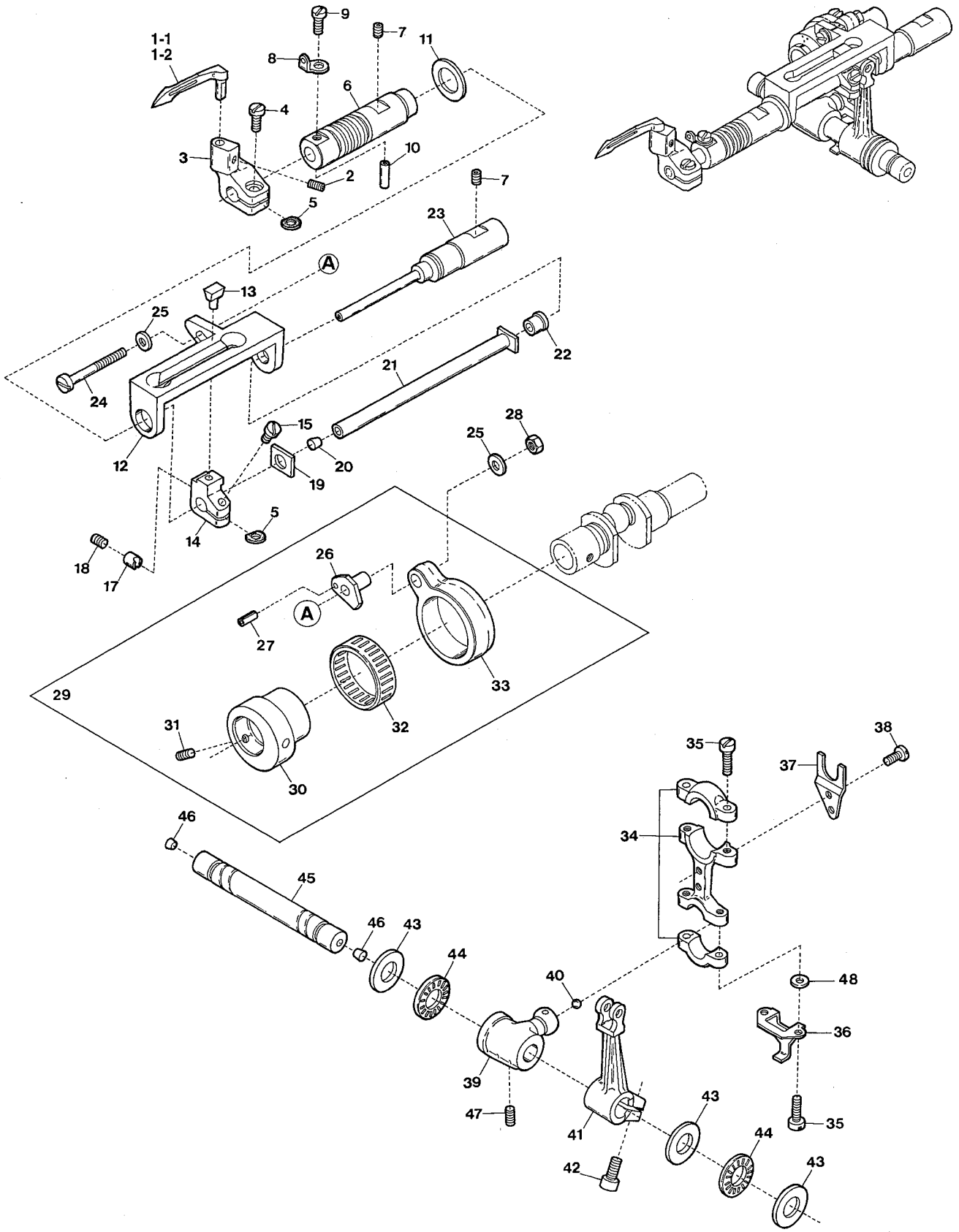
Ref. No 41 to 57 See the following page.



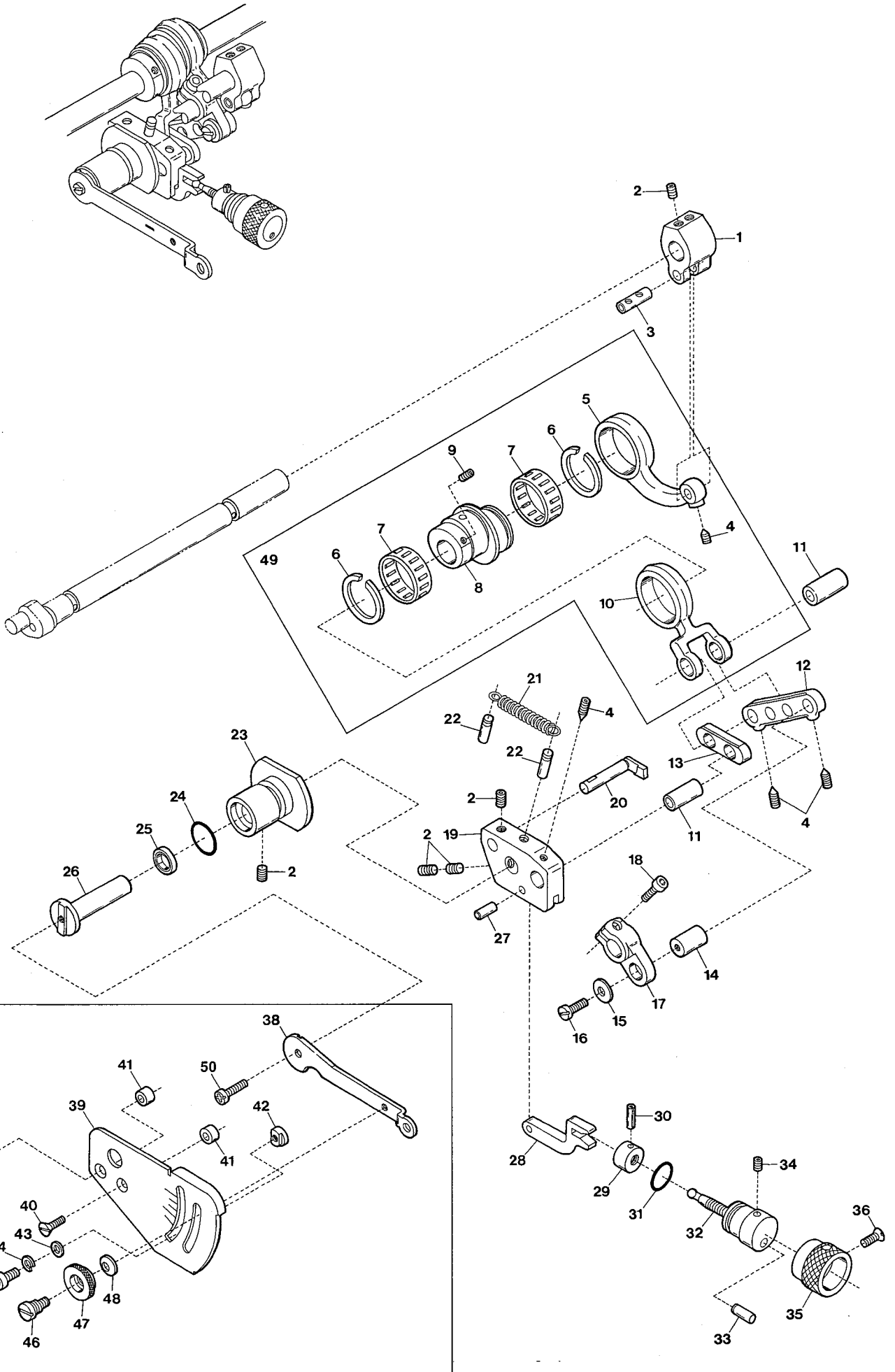
| Ref.No | Parts No. | Description | 品名 | Amt. Req |
|--------|-----------|-------------------------------------|-------------|----------|
| 41 | 3160168 | Lifter Spring | 押工揚ゲバネ | 1 |
| 42 | 3500305 | Cap | キャップ | 1 |
| 43 | 3120416 | Presser Foot Lifter Lever | 押工揚ゲレバー | 1 |
| 44 | 3101216 | Lifter Lever Stop | 押工揚ゲレバーストップ | 1 |
| 45 | 004358 | Screw(9/64-40 × 5.6) | 止ネジ | 2 |
| 46 | 3500299 | Tension Release Lever Connector | 糸緩メ腕連結板 | 1 |
| 47 | 170009 | Screw(M4-0.7 × 4) | 止ネジ | 1 |
| 48 | 170038 | Screw(M4-0.7 × 5) | 止ネジ | 1 |
| 49 | 3100533 | Tension Release Lever | 糸緩メ腕 | 1 |
| 50 | 120001 | Screw(M4-0.7 × 14) | 止ネジ | 1 |
| 51 | 0094387 | Tension Release Shaft | 糸緩メ軸 | 1 |
| 52 | 0063515 | Thread Pull-off Lever | 糸緩メレバー | 1 |
| 53 | 000690 | Spring Pin(4 × 16mm) | スプリングピン | 1 |
| 54 | 0094390 | Tension Release Adjusting Eccentric | 糸緩メ板調節コロ | 1 |
| 55 | 0095334 | Swing-proof Spring | 防振バネ | 1 |
| 56 | 001170 | Screw(9/64-40 × 12) | 止ネジ | 1 |
| 57 | 340014 | Roll Pin(3 × 12mm) | ロールピン | 1 |



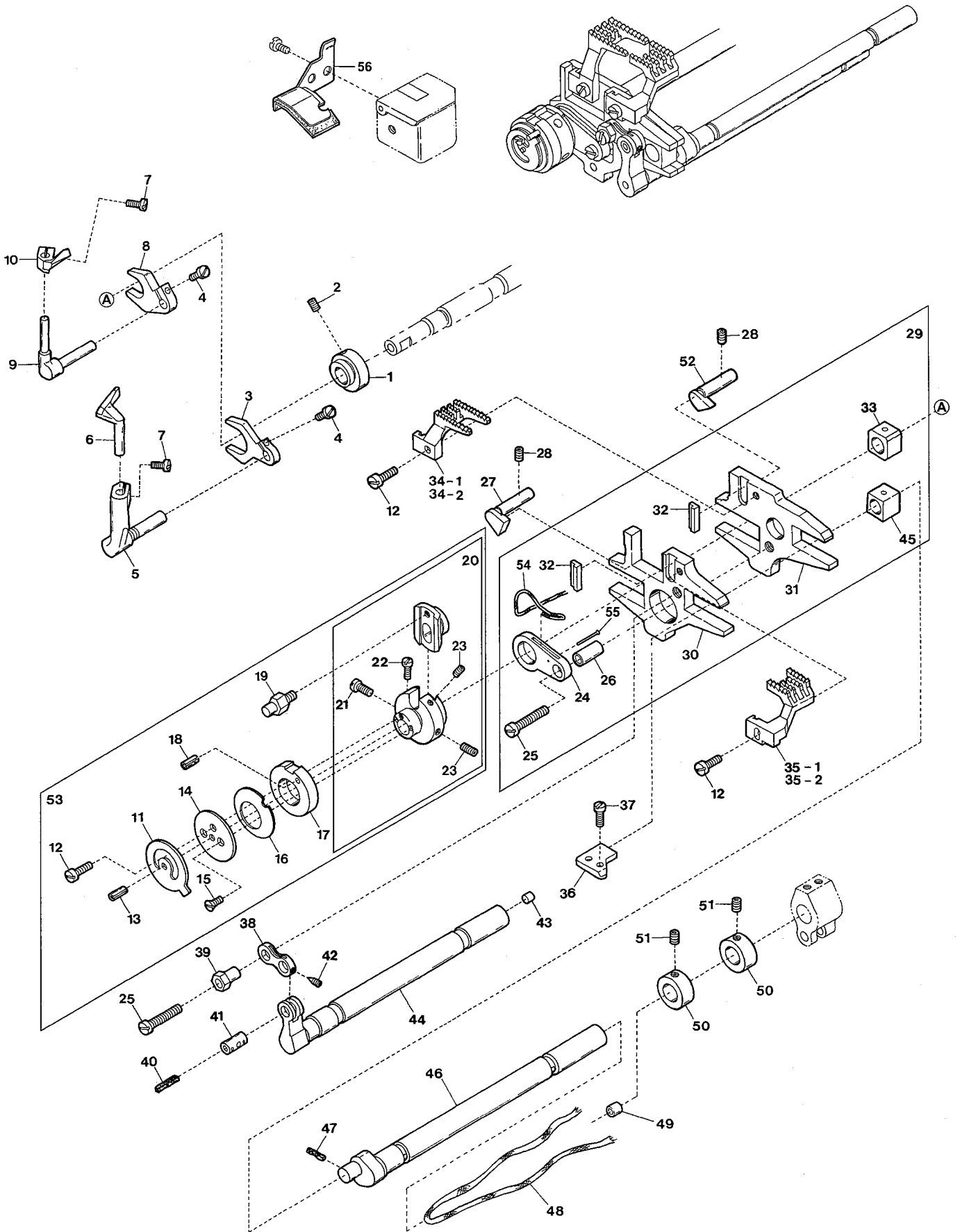
| Ref.No | Parts No. | Description | 品名 | Amt. Req |
|--------|-----------|------------------------------|-----------|----------|
| 1 | 3100302 | Connecting Rod, Complete Set | ルーパロッド(組) | 1 |
| 2 | 3100300 | Eccentric | ルーパエキセン | 1 |
| 3 | 160003 | Screw(M5-0.8 × 5) | 止ネジ | 2 |
| 4 | 0077322 | Roller Bearing | ニードルベアリング | 1 |
| 5 | 3100301 | Connecting Rod | ルーパロッド | 1 |
| 6 | 0094566 | Retaining Ring | ストップリング | 1 |
| 7 | 110009 | Screw(M4-0.7 × 8) | 止ネジ | 1 |
| 8 | 300006 | Washer | ワッシャ | 1 |
| 9 | 3100309 | Adjusting Lever Pin | 調節レバーピン | 1 |
| 10 | 000528 | Washer | ワッシャ | 1 |
| 11 | 100003 | Nut(M6-1.0) | ナット | 1 |
| 12 | 0032646 | Collar(12 × 20 × 8mm) | カラー | 1 |
| 13 | 009604 | Screw(11/64-40 × 5.5) | 止ネジ | 2 |
| 14 | 3100303 | Adjusting Lever | 調節レバー | 1 |
| 15 | 120013 | Screw(M6-1 × 15) | 止ネジ | 1 |
| 16 | 3100304 | Driving Shaft | ルーパ軸 | 1 |
| 17 | 3100305 | Rocking Arm | ルーパ振り腕 | 1 |
| 18 | 160007 | Screw(M6-1 × 6) | 止ネジ | 2 |
| 19 | 0063051 | Rocking Pin | ルーパ振りピン | 1 |
| 20 | 0063053 | Spreader Bar | ルーパ棒 | 1 |
| 21 | 0063056 | Bushing Ring | ブッシュリング | 1 |
| 22 | 0063057 | Collar(10 × 18 × 7mm) | カラー | 1 |
| 23 | 009526 | Screw(9/64-40 × 4.4) | 止ネジ | 2 |
| 24 | 3100307 | Spreader Holder | 飾り糸ルーパ台 | 1 |
| 25 | 3509320 | Spreader | 飾り糸ルーパ | 1 |
| 26 | 110031 | Screw(M4-0.7 × 12) | 止ネジ | 2 |



| Ref.No | Parts No. | Description | 品名 | Amt. Req |
|--------|-----------|--------------------------------------|-------------|----------|
| 1-1 | 3109300 | Looper(32, 40, 56, 64) | ルーパ | 1 |
| 1-2 | 3109302 ◆ | Looper(48) | ルーパ | 1 |
| 2 | 160040 | Screw(M4-0.7 × 5) | 止ネジ | 1 |
| 3 | 3180100 | Looper Holder | ルーパ台 | 1 |
| 4 | 110039 | Screw(M3.5-0.6 × 10) | 止ネジ | 1 |
| 5 | 300500 | Spacer(Fiber) | スペーサ(ファイバ) | 2 |
| 6 | 3100154 | Looper Bar Bushing | ルーパ棒ブッシュ | 1 |
| 7 | 160024 | Screw(M6-1 × 8) | 止ネジ | 2 |
| 8 | 3100410 | Looper Thread Eyelet | ルーパ糸道 | 1 |
| 9 | 110101 | Screw(M3-0.5 × 3) | 止ネジ | 1 |
| 10 | 340008 | Roll Pin | ロールピン | 1 |
| 11 | 3100156 | Bushing Spacer | ブッシュスペーサ | 1 |
| 12 | 3100152 | Looper Bar Guide | ルーパ棒ガイド | 1 |
| 13 | 3100157 | Slider | スライダ | 1 |
| 14 | 3100158 | Slider Holder | スライダ取付台 | 1 |
| 15 | 110005 | Screw(M3.5-0.6 × 12) | 止ネジ | 1 |
| 16 | | | | |
| 17 | 3100159 | Slider Presser | スライダ押シ | 1 |
| 18 | 160001 | Screw(M4-0.7 × 4) | 止ネジ | 1 |
| 19 | 3100160 | Thrust Washer | スラストワッシャ | 1 |
| 20 | 330002 | Seal Plug(Kurk) | 詰栓(コルク) | 1 |
| 21 | 3100161 | Looper Bar | ルーパ棒 | 1 |
| 22 | 3100153 | Guide Shaft Bushing | ガイド軸ブッシュ | 1 |
| 23 | 3100155 | Looper Bar Guide Shaft | ガイド軸 | 1 |
| 24 | 110019 | Screw(M5-0.8 × 35) | 止ネジ | 1 |
| 25 | 300000 | Washer | ワッシャ | 2 |
| 26 | 3100151 | Looper Rocker Adjusting Pin | ルーパ前後調節ピン | 1 |
| 27 | 340001 | Roll Pin | ロールピン | 1 |
| 28 | 100002 | Nut | ナット | 1 |
| 29 | 3100150 | Looper Rocker Connecting Rod, C. Set | ルーパ前後ロッド(組) | 1 |
| 30 | 3100147 | Looper Rocker Regulating Eccentric | ルーパ前後エキセン | 1 |
| 31 | 160003 | Screw(M5-0.8 × 5) | 止ネジ | 1 |
| 32 | 0065389 | Roller Bearing | ニードルベアリング | 1 |
| 33 | 3100149 | Looper Rocker Connecting Rod | ルーパ前後ロッド | 1 |
| 34 | 3100140 | Looper Connecting Rod | ルーパロッド | 1 |
| 35 | 005071 | Screw(11/64-32 × 14) | 止ネジ | 4 |
| 36 | 3100355 | Oil Splasher | オイルスブラッシャ | 1 |
| 37 | 3100141 | Guide Fork | 振レ止メ | 1 |
| 38 | 004440 | Screw(11/64-40 × 8.3) | 止ネジ | 2 |
| 39 | 3100142 | Looper Driving Lever | ルーパ軸腕 | 1 |
| 40 | 000637 | Seal Plug | 詰栓 | 1 |
| 41 | 3100143 | Looper Rocker Arm | ルーパ振り腕 | 1 |
| 42 | 120011 | Screw(M6-1 × 18) | 止ネジ | 1 |
| 43 | 3100146 | Thrust Washer | スラストワッシャ | 3 |
| 44 | 3100145 | Thrust Roller Bearing | スラストベアリング | 2 |
| 45 | 3100144 | Looper Shaft | ルーパ軸 | 1 |
| 46 | 000740 | Seal Plug | 詰栓 | 2 |
| 47 | 160029 | Screw(M8-1.25 × 8) | 止ネジ | 2 |
| 48 | 001123 | Washer | ワッシャ | 2 |

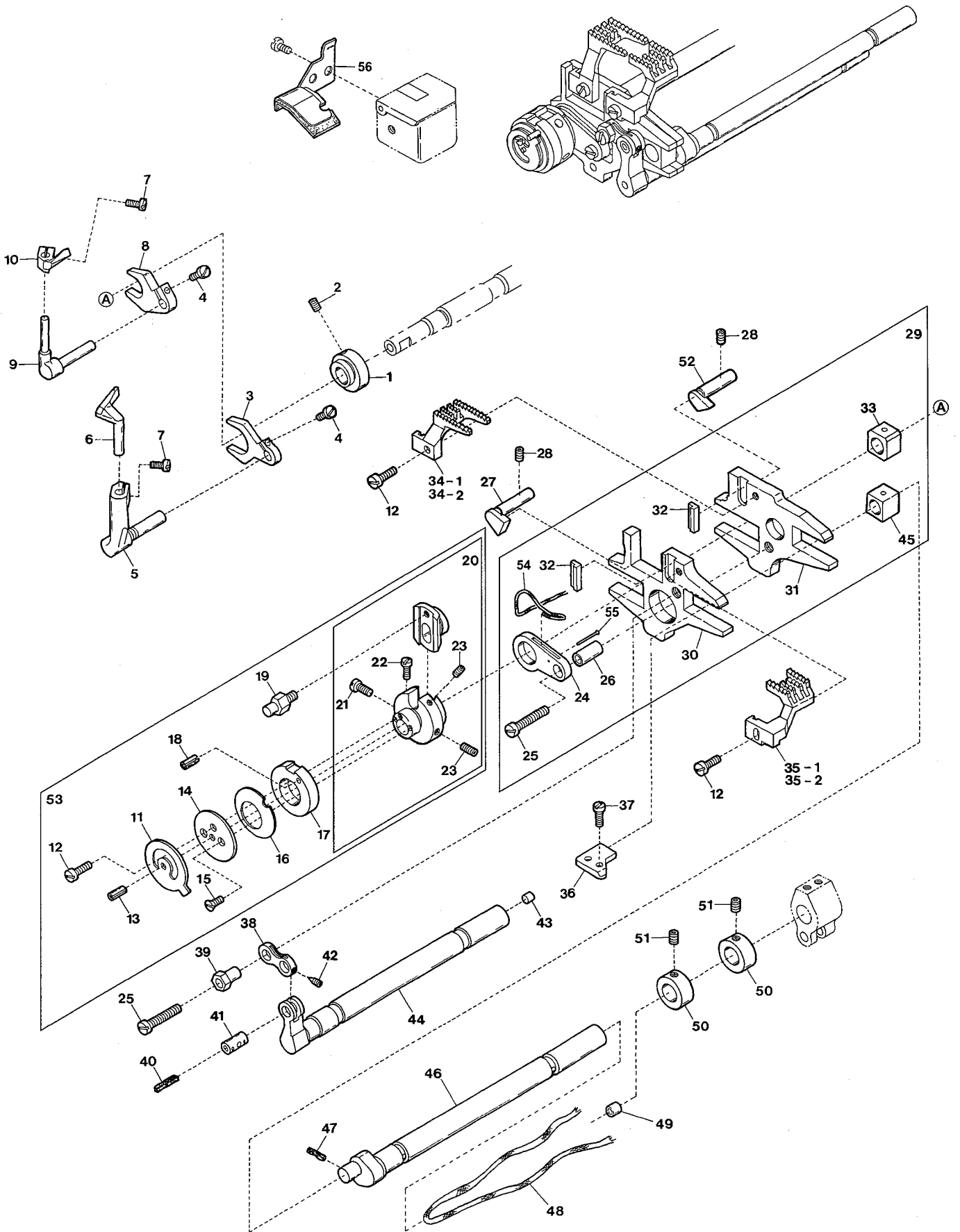


| Ref.No | Parts No. | Description | 品名 | Amt. Req |
|--------|-----------|---|--------------|----------|
| 1 | 3100217 | Feed Lift Lever | 送り上下軸腕 | 1 |
| 2 | 160007 | Screw(M6-1 × 6) | 止ネジ | 6 |
| 3 | 0032799 | Connecting Rod Pin | ロッドピン | 1 |
| 4 | 160002 | Screw(M4-0.7 × 2) | 止ネジ | 4 |
| 5 | 3100216 | Feed Lift Connecting Rod | 送り上下ロッド | 1 |
| 6 | 3100192 | Retaining Ring | 止メ輪 | 2 |
| 7 | 3100190 | Roller Bearing | ニードルベアリング | 2 |
| 8 | 3100189 | Differential Feed Eccentric | 前送りエキセン | 1 |
| 9 | 006212 | Screw(M5-0.8 × 6) | 止ネジ | 2 |
| 10 | 3100191 | Differential Feed Connecting Rod | 前送りロッド | 1 |
| 11 | 3100193 | Connecting Rod Pin | ロッドピン | 2 |
| 12 | 3100194 | Lever Link(Long) | 前送りレバーリンク(長) | 1 |
| 13 | 3100195 | Lever Link(Short) | 前送りレバーリンク(短) | 1 |
| 14 | 3100196 | Lever Link Pin | 前送りレバーリンクピン | 1 |
| 15 | 300006 | Washer | ワッシャ | 1 |
| 16 | 110009 | Screw(M4-0.7 × 8) | 止ネジ | 1 |
| 17 | 3100197 | Differential Feed Shaft Lever | 前送り軸レバー | 1 |
| 18 | 120009 | Screw(M4-0.7 × 12) | 止ネジ | 1 |
| 19 | 3100199 | Control Bracket | 前送り調節ブラケット | 1 |
| 20 | 3100202 | Connecting Rod Guide | 前送りロッドガイド | 1 |
| 21 | 3100200 | Control Bracket Spring | ブラケットバネ | 1 |
| 22 | 340003 | Pin | ピン | 2 |
| 23 | 3100103 | Control Lever Shaft Bushing | 調節レバー軸ブッシュ | 1 |
| 24 | 3100104 | O-ring(P16) | Oリング | 1 |
| 25 | 0093303 | Oil Seal | オイルシール | 1 |
| 26 | 3100201 | Control Lever Shaft | 前送り調節レバー軸 | 1 |
| 27 | 3100211 | Control Link Pin | 前送り調節リンクピン | 1 |
| 28 | 3100203 | Control Link | 前送り調節リンク | 1 |
| 29 | 3100208 | Control Nut | 前送り調節ナット | 1 |
| 30 | 001107 | Roll Pin | ロールピン | 1 |
| 31 | 3100205 | O-ring(P12) | Oリング | 1 |
| 32 | 3100204 | Adjusting Screw | 調節ネジ | 1 |
| 33 | 3100207 | Adjusting Stop Pin | ストップピン | 1 |
| 34 | 160001 | Screw(M4-0.7 × 4) | 止ネジ | 1 |
| 35 | 3100206 | Adjusting Knob | 調節ツマミ | 1 |
| 36 | 130011 | Screw(M3-0.5 × 4) | 止ネジ | 1 |
| 37 | 3100235 | Differential Feed Control Lever, C. Set | 前送り調節レバー(組) | 1 |
| 38 | 3100210 | Differential Feed Control Lever | 前送り調節レバー | 1 |
| 39 | 3100209 | Differential Feed Graduations | 前送り目盛板 | 1 |
| 40 | 130004 | Screw(M4-0.7 × 11) | 止ネジ | 2 |
| 41 | 000505 | Spacer | スペーサ | 2 |
| 42 | 0020350 | Control Lever Stop | 前送り調節レバーストップ | 1 |
| 43 | 000669 | Washer | ワッシャ | 1 |
| 44 | 000600 | Spring Washer | スプリングワッシャ | 1 |
| 45 | 005049 | Screw(M5-0.8 × 8) | 止ネジ | 1 |
| 46 | 190004 | Screw(M6-1 × 7.5, M4.5-0.5 × 3) | 止ネジ | 1 |
| 47 | 100005 | Nut | ナット | 1 |
| 48 | 000561 | Conical Spring Washer | 皿バネワッシャ | 1 |
| 49 | 3100220 | Feed Lift Connecting Rod, C. Set | 送り上下ロッド(組) | 1 |
| 50 | 110013 | Screw(M4-0.7 × 8) | 止ネジ | 1 |

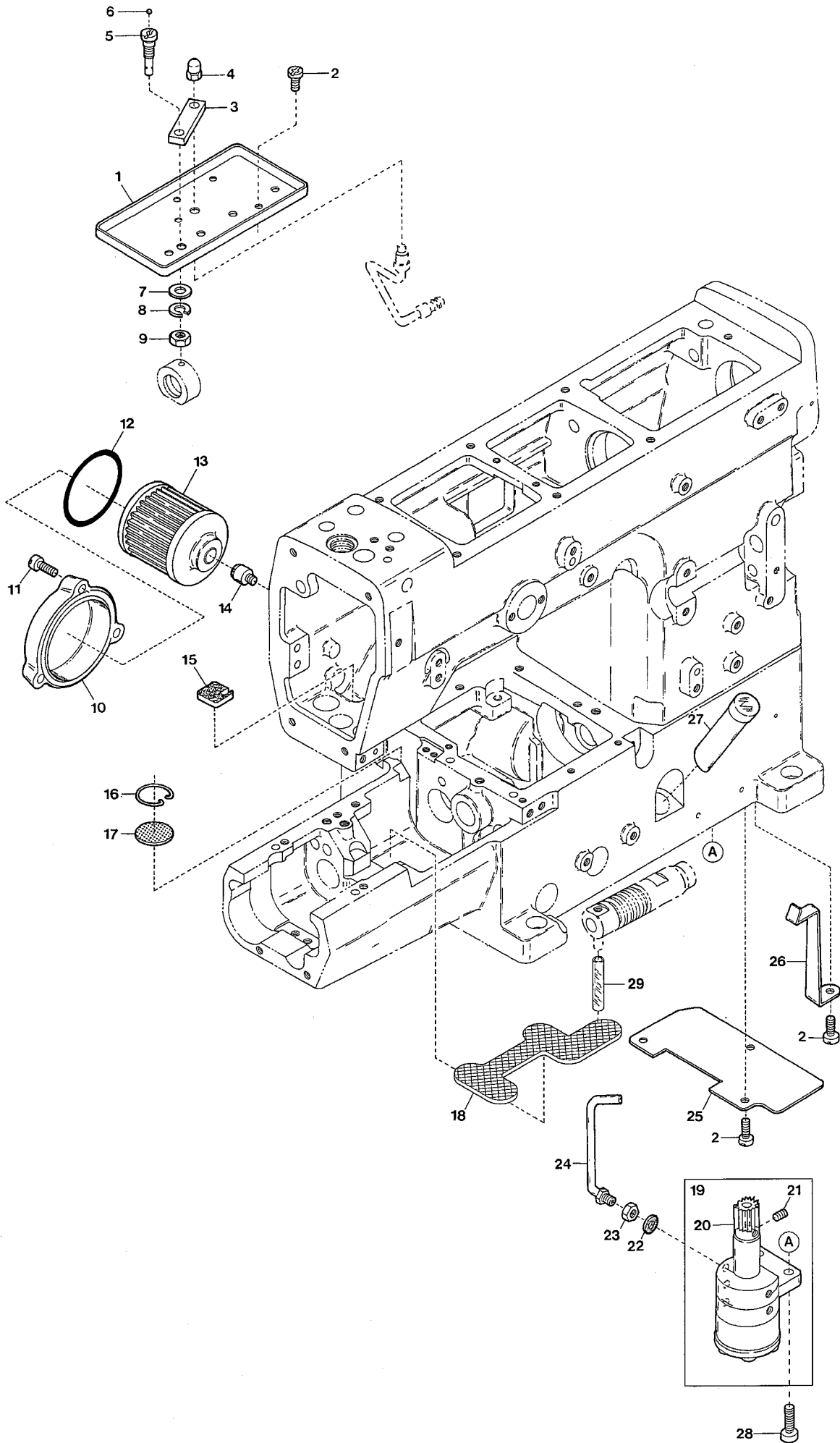


| Ref.No | Parts No. | Description | 品名 | Amt. Req |
|--------|-------------------|--|---------------|----------|
| 1 | 3100243 | Needle Guard(Front) Eccentric | 針受ケ(前)エキセン | 1 |
| 2 | 160003 | Screw(M5-0.8 × 5) | 止ネジ | 2 |
| 3 | 3100242 | Needle Guard(Front) Lever | 針受ケ(前)腕 | 1 |
| 4 | 110022 | Screw(M3-0.5 × 10) | 止ネジ | 2 |
| 5 | 3100241 | Needle Guard(Front) Holder | 針受ケ(前)台 | 1 |
| 6 | 3139200 | Needle Guard(Front) | 針受ケ(前) | 1 |
| 7 | 110036 | Screw(M3-0.5 × 6.5) | 止ネジ | 2 |
| 8 | 3100246 | Needle Guard(Rear) Lever | 針受ケ(後)腕 | 1 |
| 9 | 3100245 | Needle Guard(Rear) Holder | 針受ケ(後)台 | 1 |
| 10 | 3509202 [3109201] | Needle Guard(Rear) | 針受ケ(後) | 1 |
| 11 | 3100187 | Feed Regulating Stop | 送り調節ストップ | 1 |
| 12 | 110004 | Screw(M3.5-0.6 × 8) | 止ネジ | 3 |
| 13 | 340001 | Roll Pin | ロールピン | 1 |
| 14 | 3100186 | Conical Spring Presser | 皿バネ押エ | 1 |
| 15 | 130005 | Screw(M2-0.4 × 4) | 止ネジ | 2 |
| 16 | 3100185 | Conical Spring | 皿バネ | 1 |
| 17 | 3100183 | Eccentric Cam | 送リエキセンカム | 1 |
| 18 | 340025 | Stop Pin | ストップピン | 1 |
| 19 | 3100184 | Eccentric Pin | 送リエキセンピン | 1 |
| 20 | 3100182 | Main Feed Eccentric, Complete Set | 送リエキセン(組) | 1 |
| 21 | 110072 | Screw(M3.5-0.6 × 6) | 止ネジ | 1 |
| 22 | 110023 | Screw(M2-0.4 × 3.5) | 止ネジ | 1 |
| 23 | 009736 | Screw(M4-0.7 × 6) | 止ネジ | 2 |
| 24 | 3180091 [3100188] | Main Feed Bar Driving Connection | 後送りリンク | 1 |
| 25 | 110021 | Screw(M5-0.8 × 18) | 止ネジ | 2 |
| 26 | 0032853 | Driving Connection Bushing | 後送りリンクブッシュ | 1 |
| 27 | 3100225 | Feed Bar Guide(Upper/Left) | 送り台ガイド(上左) | 1 |
| 28 | 160007 | Screw(M6-1 × 6) | 止ネジ | 2 |
| 29 | 3180090 [3100229] | Feed Mechanism, C. Set | 送り機構(組) | 1 |
| 30 | 3100221 | Differential Feed Bar | 前送り台 | 1 |
| 31 | 3100222 | Main Feed Bar | 後送り台 | 1 |
| 32 | 3100231 | Feed Dog Key | キー | 2 |
| 33 | 3100224 | Feed Lift Block(Rear) | 角駒(後) | 1 |
| 34-1 | 3106000 | Main Feed Dog(48, 56)(P=1.6mm) | 後送り(ピッチ1.6mm) | 1 |
| 34-2 | 3106001 | Main Feed Dog(64)(P=1.6mm) | 後送り(ピッチ1.6mm) | 1 |
| 35-1 | 3109000 | Differential Feed Dog(48, 56)(P=1.6mm) | 前送り(ピッチ1.6mm) | 1 |
| 35-2 | 3109002 | Differential Feed Dog(64)(P=1.6mm) | 前送り(ピッチ1.6mm) | 1 |
| 36 | 3100226 | Feed Bar Guide(Lower) | 送り台ガイド(下) | 1 |
| 37 | 110035 | Screw(M4-0.7 × 10) | 止ネジ | 2 |
| 38 | 3100213 | Differential Feed Bar Driving Connection | 前送りリンク | 1 |
| 39 | 3100215 | Oscillation Adjusting Eccentric | 前送り前後調節エキセン | 1 |
| 40 | 000199 | Oil Wick | 油芯 | 1 |

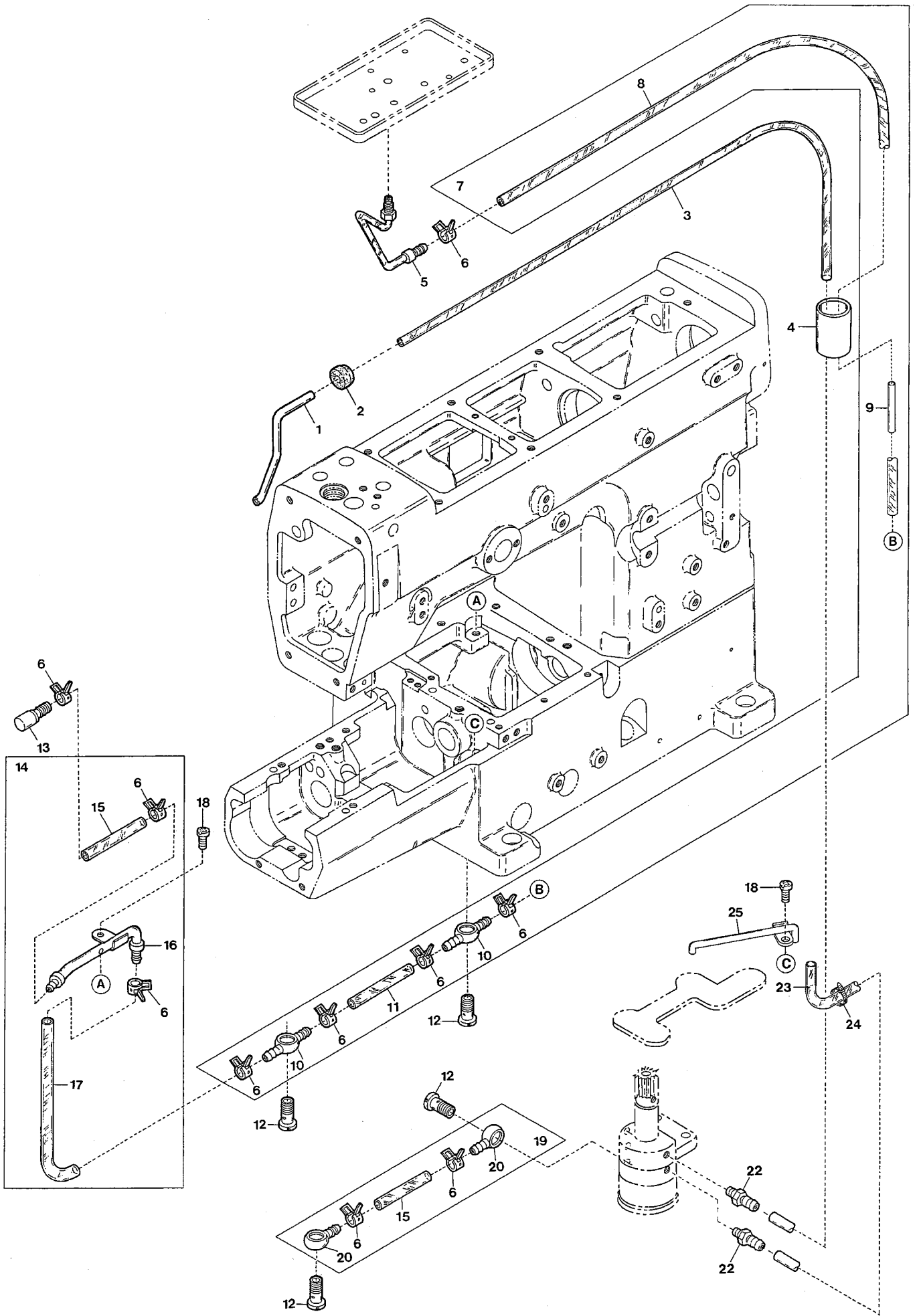
Ref. No 41 to 56 See the following page.



| Ref.No | Parts No. | Description | 品 名 | Amt. Req |
|--------|-----------|--------------------------------|------------|----------|
| 41 | 3100214 | Driving Connection Pin | 前送りリンクピン | 1 |
| 42 | 160006 | Screw(M3-0.5 × 6) | 止ネジ | 1 |
| 43 | 000750 | Seal Plug | 詰栓 | 1 |
| 44 | 3100212 | Differential Feed Shaft | 前送り軸 | 1 |
| 45 | 0093389 | Feed Lift Block(Front) | 角駒(前) | 1 |
| 46 | 3100218 | Feed Lift Shaft | 送り上下軸 | 1 |
| 47 | 000397 | Oil Wick | 油芯 | 1 |
| 48 | 000401 | Oil Wick(280mm) | 油芯 | 1 |
| 49 | 330015 | Seal Plug | 詰栓 | 1 |
| 50 | 3100219 | Collar(11 × 18 × 11mm) | カラー | 2 |
| 51 | 160004 | Screw(M6-1 × 4.8) | 止ネジ | 2 |
| 52 | 3101300 | Feed Bar Guide(Upper/Right) | 送り台ガイド(上右) | 1 |
| 53 | 3100179 | Main Feed Eccentric, C. Set(2) | 送リエキセン(組2) | 1 |
| 54 | 310068 ◆ | Oil Wick(120mm) | 油芯 | 1 |
| 55 | 000775 ◆ | Pin | ピン | 1 |
| 56 | 3130047 ◆ | Needle Guard Lever Cover | 針受ケ腕カバー | 1 |

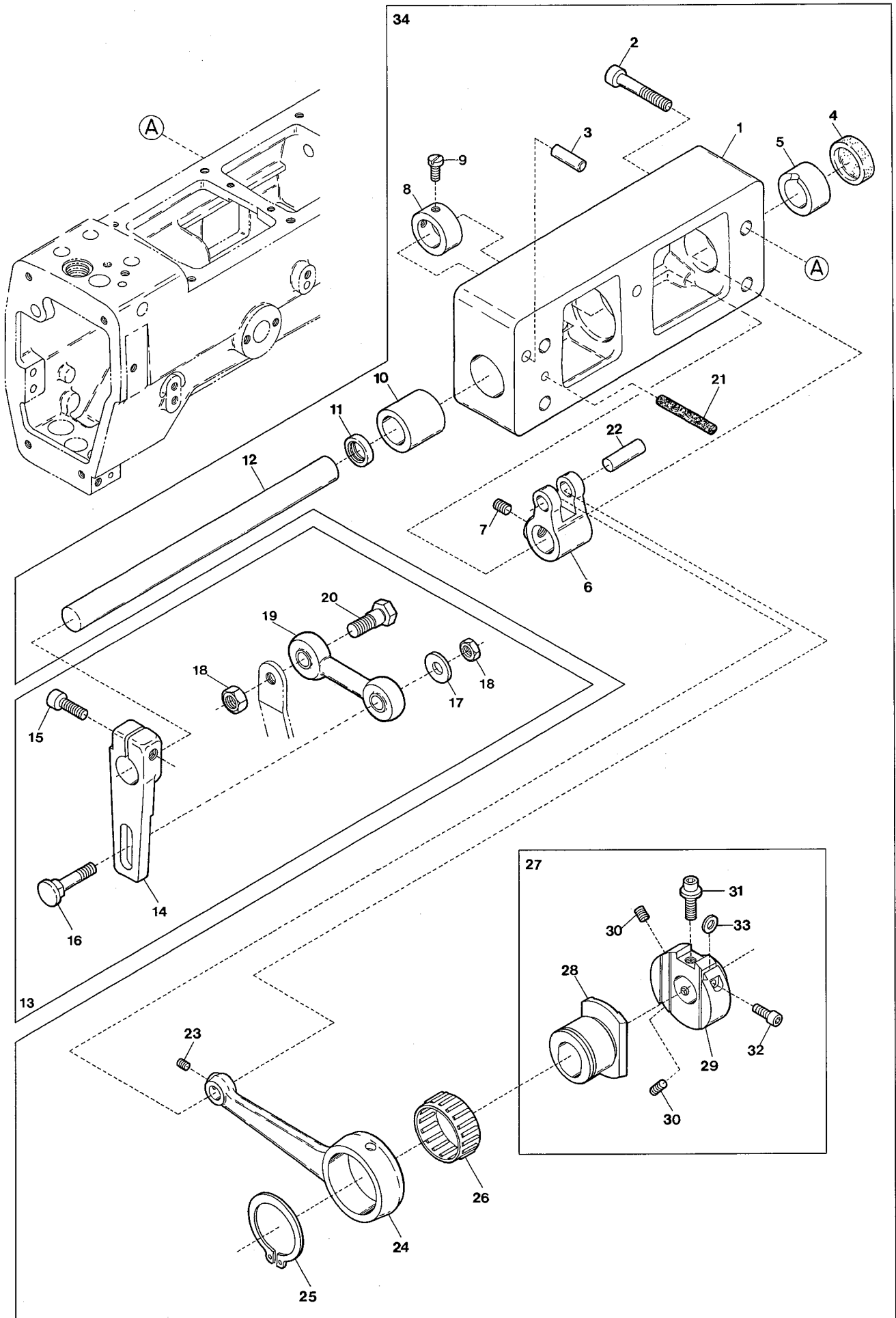


| Ref.No | Parts No. | Description | 品名 | Amt. Req |
|--------|-------------------|-----------------------------|-------------|----------|
| 1 | 0065453 | Oil Receiver | 油受ケ皿 | 1 |
| 2 | 110012 | Screw(M4-0.7 × 5) | 止ネジ | 6 |
| 3 | 3200243 [3200229] | Lubricant Guiding Block | 給油ブロック | 1 |
| 4 | 320006 | Top Nozzle Cap | オイルノズルキャップ | 1 |
| 5 | 3200230 | Oil Adjusting Screw | 給油量調節ネジ | 1 |
| 6 | 000636 | Seal Plug | 詰栓 | 1 |
| 7 | 300000 | Washer | ワッシャ | 1 |
| 8 | 000600 | Spring Washer | スプリングワッシャ | 1 |
| 9 | 100002 | Nut | ナット | 1 |
| 10 | 2150325 | Oil Filter Cap | オイルフィルタキャップ | 1 |
| 11 | 110045 | Screw(M4-0.7 × 12) | 止ネジ | 3 |
| 12 | 3100061 | O-ring(P42) | Oリング | 1 |
| 13 | 3100345 | Oil Filter | オイルフィルタ | 1 |
| 14 | 3100329 | Oil Filter Connector | オイルフィルタ継手 | 1 |
| 15 | 3200237 | Felt | フェルト | 1 |
| 16 | 0063217 | Oil Filter Screen Clamp | 濾過網押エ | 1 |
| 17 | 0063216 | Oil Filter Screen | 濾過網 | 1 |
| 18 | 3180084 | Draining Felt | 排油フェルト | 1 |
| 19 | 3150195 [3150143] | Oil Pump, Complete Set | ポンプ(組) | 1 |
| 20 | 2040033 [0030711] | Oil Pump Driving Worm Gear | ウォームギア | 1 |
| 21 | 160001 | Screw(M4-0.7 × 4) | 止ネジ | 2 |
| 22 | 000567 | Seal | パッキン | 1 |
| 23 | 100014 [000419] | Nut | ノズル止メナット | 1 |
| 24 | 3150151 [3100349] | Oil Nozzle for Worm Gear | 給油パイプ | 1 |
| 25 | 3150155 | Dust Proof Plate | 防塵板 | 1 |
| 26 | 3100330 | Oil Tube Stay | オイルパイプ支エ | 1 |
| 27 | 0021010 | Oil Sight Gauge | オイルゲージ | 1 |
| 28 | 120011 [120013] | Screw(M6-1 × 18)[M6-1 × 15] | 止ネジ | 2 |
| 29 | 3100331 | Oil Tube(4 × 6 × 31mm) | オイルパイプ | 1 |



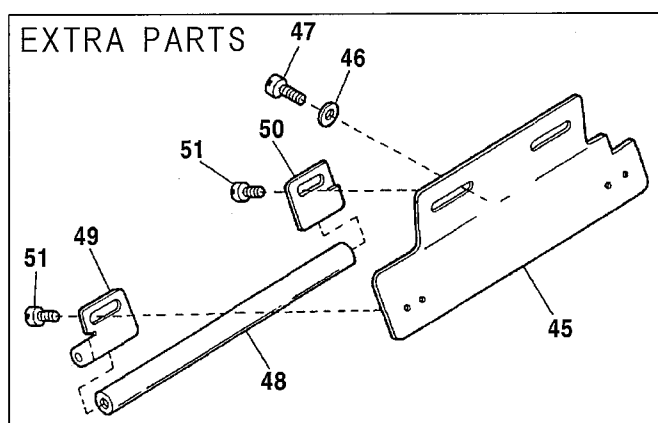
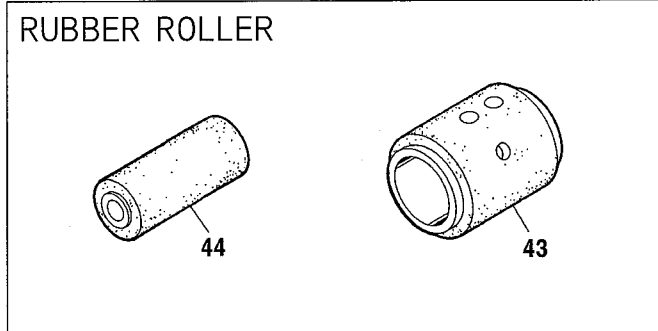
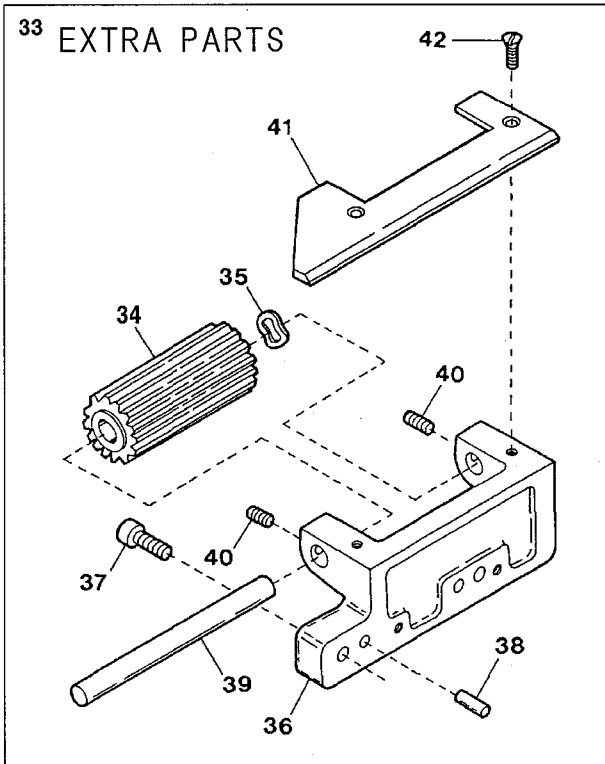
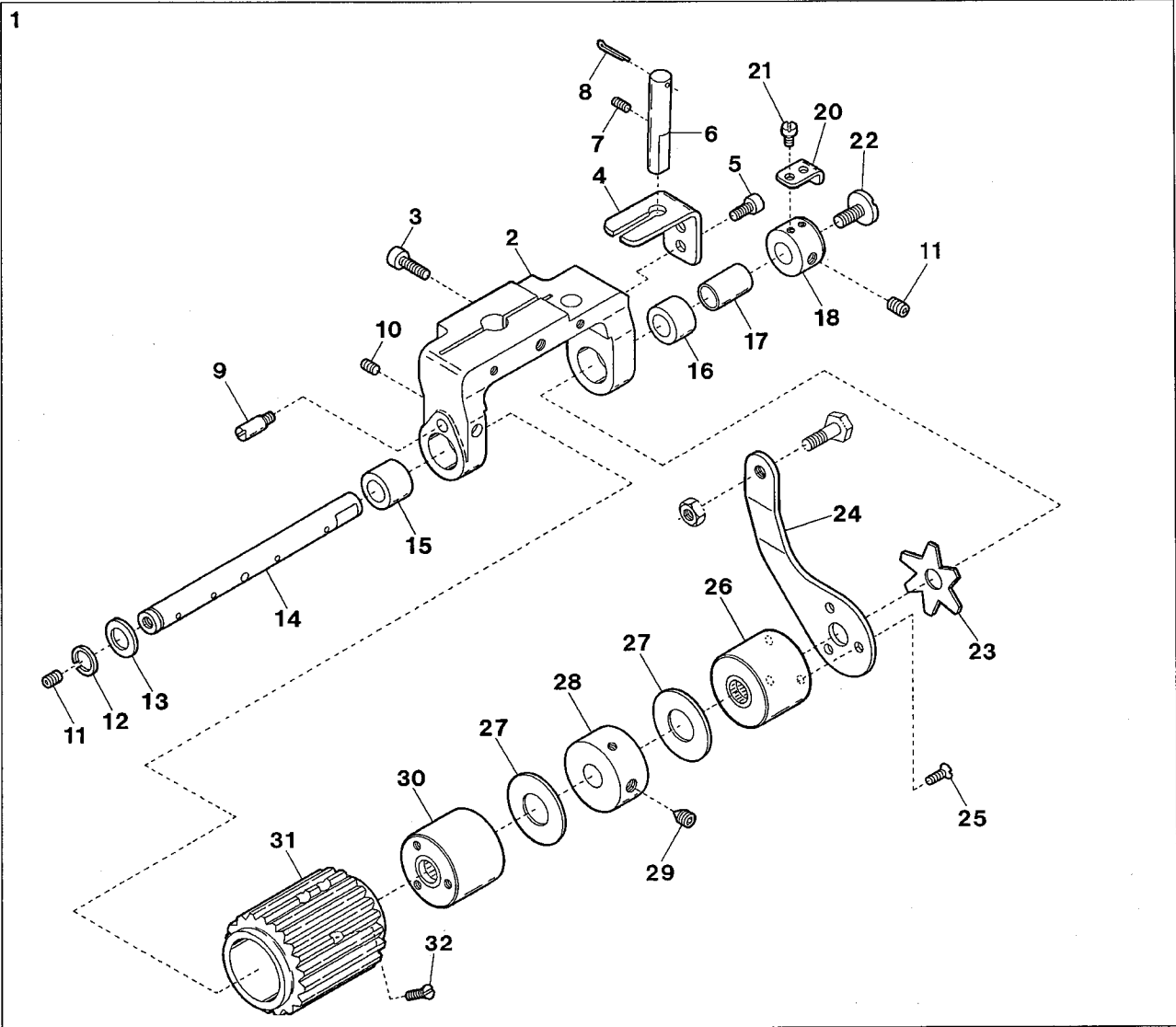
| Ref.No | Parts No. | Description | 品名 | Amt. Req |
|--------|-------------------|--|-------------|----------|
| 1 | 3200236 | Suction Pipe | 吸入パイプ | 1 |
| 2 | 0093617 | Suction Pipe Bushing | 吸入パイプブッシュ | 1 |
| 3 | 3200238 | Oil Tube(3 × 5 × 440mm) | オイルパイプ | 1 |
| 4 | 0065452 | Draining Pipe | 排油パイプ | 1 |
| 5 | 3200227 | Oil Sight Top Nozzle | ノズル | 1 |
| 6 | 0031831 | Oil Tube Clamp | 緊束環 | 10 |
| 7 | 3100357 | Oil Tube(Long), Complete Set | 給油パイプ(長)(組) | 1 |
| 8 | 3100354 | Oil Tube(4 × 6 × 290mm) | オイルパイプ | 1 |
| 9 | 3100392 [3100336] | Oil Tube(2.5 × 4 × 35mm)[4 × 6 × 75mm] | オイルパイプ | 1 |
| 10 | 3100371 | Oil Tube Joint, Two Way | 両口管継手 | 2 |
| 11 | 3100332 | Oil Tube(4 × 6 × 37mm) | オイルパイプ | 1 |
| 12 | 320010 | Fitting Stud(Short) | 管継手ボルト(短) | 4 |
| 13 | 3100342 | Lower Shaft Oiling Outlet | 下軸給油管 | 1 |
| 14 | 3100358 | Oil Tube(Middle), Complete Set | 給油パイプ(中)(組) | 1 |
| 15 | 3100331 | Oil Tube(4 × 6 × 31mm) | オイルパイプ | 2 |
| 16 | 3100343 | Lower Shaft Oiling Shower | 下軸給油シャワ | 1 |
| 17 | 3100334 | Oil Tube(4 × 6 × 110mm) | オイルパイプ | 1 |
| 18 | 110013 | Screw(M4-0.7 × 8) | 止ネジ | 2 |
| 19 | 3100356 | Oil Tube(Short), Complete Set | 給油パイプ(短)(組) | 1 |
| 20 | 3100370 | Oil Tube Joint, One Way | 片口管継手 | 2 |
| 21 | | | | |
| 22 | 0010017 | Bamboo Joint(l-4) | bambu継手 | 2 |
| 23 | 3500425 | Oil Tube(3.5 × 5 × 350mm) | オイルパイプ | 1 |
| 24 | 0011795 | Wrapping Band(2.3 × 92) | 束線バンド | 1 |
| 25 | 3180080 | Draining Pipe | 排油パイプ | 1 |

PULLER MECHANISM(1)



| Ref.No | Parts No. | Description | 品名 | Amt. Req |
|--------|-----------|---|---------------|----------|
| 1 | 3180110 | Upper Feed Roller Shaft Bracket | 上ローラ軸ブラケット | 1 |
| 2 | 120019 | Screw(M6-1 × 18) | 止ネジ | 4 |
| 3 | 000779 | Knock Pin | ノックピン | 2 |
| 4 | 3100006 | Seal Plug | 詰栓 | 1 |
| 5 | 3100607 | Roller Shaft Bushing(Right) | 上ローラ軸ブッシュ(右) | 1 |
| 6 | 3100604 | Upper Feed Roller Shaft Lever | 上ローラ軸腕 | 1 |
| 7 | 160007 | Screw(M6-1 × 6) | 止ネジ | 2 |
| 8 | 0065398 | Collar(14 × 22 × 10mm) | カラー | 1 |
| 9 | 009604 | Screw(1 1/64-40 × 5.5) | 止ネジ | 2 |
| 10 | 3100626 | Roller Shaft Bushing(Left) | 上ローラ軸ブッシュ(左) | 1 |
| 11 | 0065395 | Oil Seal | オイルシール | 1 |
| 12 | 3100605 | Upper Feed Roller Shaft | 上ローラ軸 | 1 |
| 13 | — | See page 17 | 17ページ参照 | - |
| 14 | 3100608 | Upper Feed Roller Lever | 上ローラレバー | 1 |
| 15 | 120012 | Screw(M6-1 × 20) | 止ネジ | 1 |
| 16 | 0065401 | Upper Feed Roller Lever Pin | 上ローラレバーピン | 1 |
| 17 | 000613 | Washer | ワッシャ | 1 |
| 18 | 000306 | Nut | ナット | 2 |
| 19 | 3501281 | Upper Feed Roller Lever Rod | 上ローラレバーロッド | 1 |
| 20 | 240010 | Screw(1/4-40 × 11) | 止ネジ | 1 |
| 21 | 310063 | Oil Wick | 油芯 | 1 |
| 22 | 0032921 | Upper Feed Roller Driving Rod Pin | 上ローラロッドピン | 1 |
| 23 | 160001 | Screw(M4-0.7 × 4) | 止ネジ | 1 |
| 24 | 3100602 | Upper Feed Roller Driving Rod | 上ローラロッド | 1 |
| 25 | 3100192 | Retaining Ring | ストップリング | 1 |
| 26 | 3100623 | Roller Bearing | ニードルベアリング | 1 |
| 27 | 3100603 | Upper Feed Roller Regulator, C. Set | 上ローラ調節器(組) | 1 |
| 28 | 3100601 | Upper Feed Roller Eccentric | 上ローラエキセン | 1 |
| 29 | 3100600 | Upper Feed Roller Regulator | 上ローラ調節器 | 1 |
| 30 | 160003 | Screw(M5-0.8 × 5) | 止ネジ | 2 |
| 31 | 190007 | Adjusting Screw(M5-0.8 × 6) | 調節ネジ | 1 |
| 32 | 120008 | Screw(M4-0.7 × 8) | 止ネジ | 1 |
| 33 | 300045 | Spacer | スペーサ | 1 |
| 34 | 3180112 | Upper Feed Roller Shaft Bracket, C. Set | 上ローラ軸ブラケット(組) | 1 |

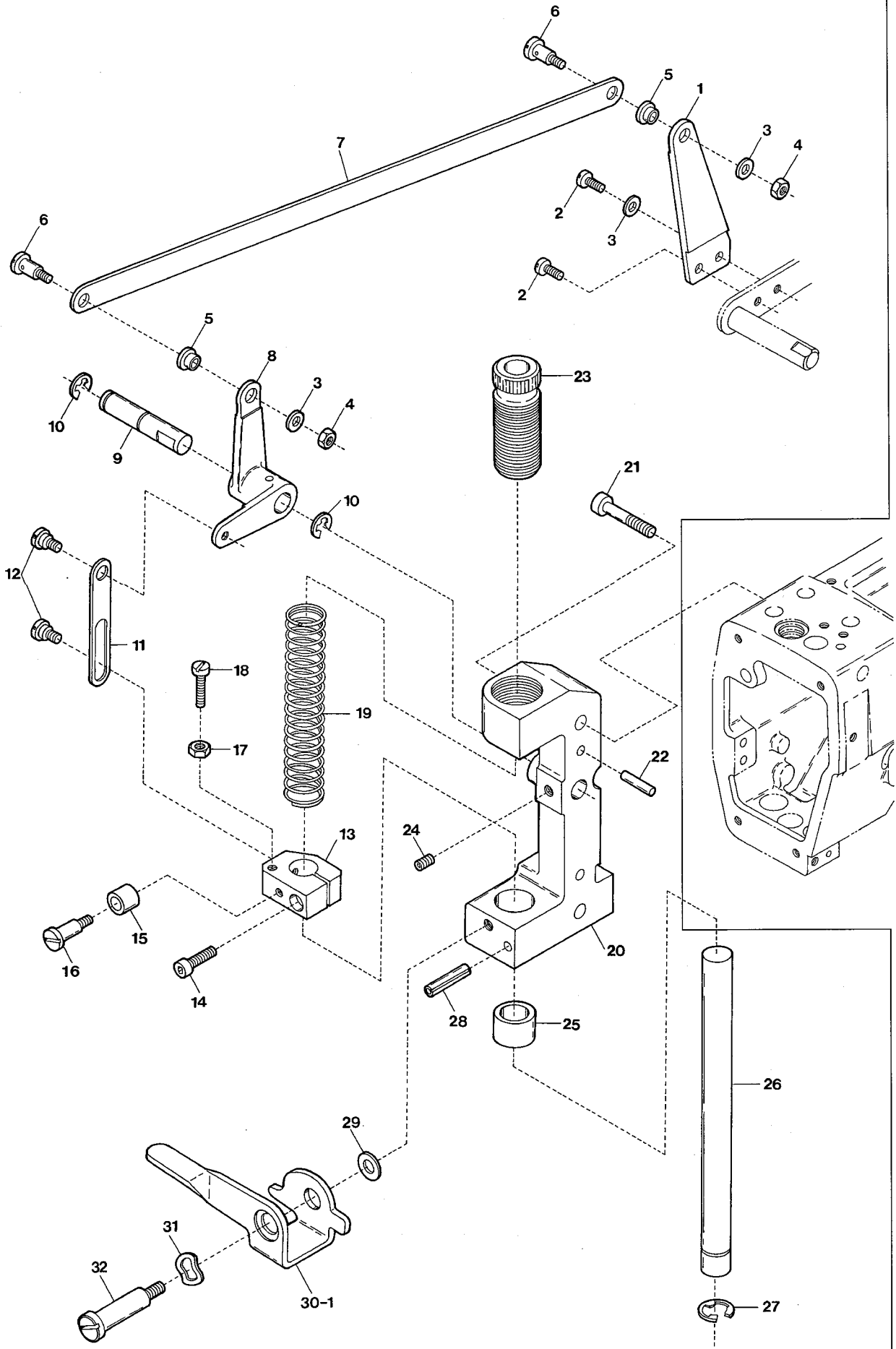
PULLER MECHANISM(2)



| Ref.No | Parts No. | Description | 品名 | Amt. Req |
|--------|-----------|--|-------------------|----------|
| 1 | — | See page 17 | 17ページ参照 | - |
| 2 | 3100611 | Upper Feed Roller Yoke | 上ローラヨーク | 1 |
| 3 | 120012 | Screw(M6-1 × 20) | 止ネジ | 1 |
| 4 | 3100612 | Upper Feed Roller Yoke Guide | 上ローラヨークガイド | 1 |
| 5 | 120008 | Screw(M4-0.7 × 8) | 止ネジ | 2 |
| 6 | 3100613 | Upper Feed Roller Yoke Pin | 上ローラヨークピン | 1 |
| 7 | 160007 | Screw(M6-1 × 6) | 止ネジ | 1 |
| 8 | 3200133 | Wire(0.9 × 45mm) | 鉄線 | 1 |
| 9 | 180005 | Screw(M4-0.7 × 6) | 止ネジ | 1 |
| 10 | 160001 | Screw(M4-0.7 × 4) | 止ネジ | 2 |
| 11 | 160003 | Screw(M5-0.8 × 5) | 止ネジ | 3 |
| 12 | 0060056 | Retaining Ring | ストップリング | 1 |
| 13 | 2100902 | Thrust Ring | スラストリング | 1 |
| 14 | 3501270 | Clutch Driving Shaft | クラッチ軸 | 1 |
| 15 | 3100616 | Clutch Driving Shaft Bushing(Left) | クラッチ軸ブッシュ(左) | 1 |
| 16 | 0065414 | Clutch Driving Shaft Bushing(Right) | クラッチ軸ブッシュ(右) | 1 |
| 17 | 0065421 | Clutch Tension Sleeve | クラッチテンションスリーブ | 1 |
| 18 | 3501283 | Adjusting Collar | 調節カラー | 1 |
| 19 | | | | |
| 20 | 3501284 | Adjusting Screw Stay | 調節ネジ支エ | 1 |
| 21 | 110002 | Screw(M3-0.5 × 5) | 止ネジ | 2 |
| 22 | 110097 | Screw(M5-0.8 × 12) | 止ネジ | 1 |
| 23 | 3501282 | Clutch Tension Spring | クラッチテンションバネ | 1 |
| 24 | 3501280 | Clutch Driving Lever | クラッチ板(右) | 1 |
| 25 | 130003 | Screw(M4-0.7 × 7.3) | 止ネジ | 3 |
| 26 | 3501276 | Clutch Sleeve(Right) | クラッチスリーブ(右) | 1 |
| 27 | 3501272 | Thrust Plate | スラストプレート | 2 |
| 28 | 3501271 | Clutch Spacer | クラッチスペーサ | 1 |
| 29 | 160005 | Screw(M6-1 × 8) | 止ネジ | 1 |
| 30 | 3501275 | Clutch Sleeve(Left) | クラッチスリーブ(左) | 1 |
| 31 | 3501290 | Upper Feed Roller(30 teeth)(Standard) | 上ローラ(30山)(標準) | 1 |
| 32 | 007621 | Screw(9/64-40 × 8.5) | 止ネジ | 3 |
| 33 | 3160183 ◆ | Lower Feed Roller Support, C. Set(Extra) | 下ローラサポート(組)(特注部品) | 1 |
| 34 | 0065461 | Lower Feed Roller(15 teeth)(Standard) | 下ローラ(15山)(標準) | 1 |
| 35 | 000492 | Wave Washer | 波形ワッシャ | 1 |
| 36 | 3100620 | Lower Feed Roller Support | 下ローラサポート | 1 |
| 37 | 120041 | Screw(M6-1 × 12) | 止ネジ | 2 |
| 38 | 000779 | Knock Pin | ノックピン | 2 |
| 39 | 3100622 | Lower Feed Roller Shaft | 下ローラ軸 | 1 |
| 40 | 150001 | Screw(M4-0.7 × 4) | 止ネジ | 2 |
| 41 | 3100621 | Lower Feed Roller Cover | 下ローラ補助カバー | 1 |
| 42 | 130002 | Screw(M3-0.5 × 6) | 止ネジ | 2 |
| 43 | 3501295 | Upper Feed Roller | 上ローラ | 1 |
| 44 | 0067028 | Lower Feed Roller | 下ローラ | 1 |
| 45 | 0065431 | Supplementary Roller Support | 補助ローラ取付板 | 1 |
| 46 | 000538 | Washer | ワッシャ | 2 |
| 47 | 110009 | Screw(M4-0.7 × 8) | 止ネジ | 2 |
| 48 | 0065435 | Supplementary Roller | 補助ローラ | 1 |
| 49 | 0065436 | Supplementary Roller Stay(A) | 補助ローラ支エ(A) | 1 |
| 50 | 0065437 | Supplementary Roller Stay(B) | 補助ローラ支エ(B) | 1 |
| 51 | 009730 | Screw(1/8-44 × 5.3) | 止ネジ | 4 |

PULLER MECHANISM(3)

33



| Ref.No | Parts No. | Description | 品名 | Amt. Req |
|--------|-----------|-----------------------------------|----------------|----------|
| 1 | 0065381 | Upper Feed Roller Lifter(Right) | 上ローラ揚ゲ(右) | 1 |
| 2 | 110009 | Screw(M4-0.7 × 8) | 止ネジ | 2 |
| 3 | 000538 | Washer | ワッシャ | 3 |
| 4 | 000334 | Nut | ナット | 2 |
| 5 | 0034979 | Flexible Wire Clamp Bushing | ワイヤ止メブッシュ | 2 |
| 6 | 006075 | Screw(11/64-40 × 6) | 止ネジ | 2 |
| 7 | 0067126 | Lifter Connecting Plate | 上ローラ揚ゲ連結板 | 1 |
| 8 | 0065374 | Upper Feed Roller Lifter(Left) | 上ローラ揚ゲ(左) | 1 |
| 9 | 0065375 | Upper Feed Roller Lifter Pin | 上ローラ揚ゲピン | 1 |
| 10 | 0095027 | Retaining Ring | ストップリング | 2 |
| 11 | 0065376 | LifterConnecting Plate | 上ローラ吊り | 1 |
| 12 | 006038 | Screw(3/16-32 × 2.2) | 止ネジ | 2 |
| 13 | 0065407 | Roller Press Bar Bracket | 上ローラ押エ棒抱キ | 1 |
| 14 | 005650 | Screw(M5-0.8 × 14) | 止ネジ | 1 |
| 15 | 0065402 | Lifting Lever Sleeve | 上ローラレバースリーブ | 1 |
| 16 | 006411 | Screw(11/64-40 × 5.5) | 止ネジ | 1 |
| 17 | 000340 | Nut | ロックナット | 1 |
| 18 | 009931 | Stop Screw(11/64-40 × 26) | ストップバネジ | 1 |
| 19 | 3100614 | Roller Press Spring | 上ローラ押エバネ | 1 |
| 20 | 3180111 | Upper Feed Roller Bracket | 上ローラブラケット | 1 |
| 21 | 009753 | Screw(M6-1 × 35) | 止ネジ | 2 |
| 22 | 000779 | Knock Pin | ノックピン | 2 |
| 23 | 0065405 | Roller Press Bar Bushing(Upper) | 上ローラ押エ棒ブッシュ(上) | 1 |
| 24 | 160007 | Screw(M6-1 × 6) | 止ネジ | 1 |
| 25 | 3100609 | Roller Press Bar Bushing(Lower) | 上ローラ押エ棒ブッシュ(下) | 1 |
| 26 | 0065404 | Upper Feed Roller Press Bar | 上ローラ押エ棒 | 1 |
| 27 | 0034117 | Retaining Ring | ストップリング | 1 |
| 28 | 000690 | Stop Pin | ストップピン | 1 |
| 29 | 000613 | Washer | ワッシャ | 1 |
| 30 | 0067111 | Upper Feed Roller Lifting Lever | 手揚ゲ | 1 |
| 31 | 000487 | Wave Washer | 波形ワッシャ | 1 |
| 32 | 170008 | Screw(M6-1 × 9) | 止ネジ | 1 |
| 33 | 3180113 | Upper Feed Roller Bracket, C. Set | 上ローラブラケット(組) | 1 |

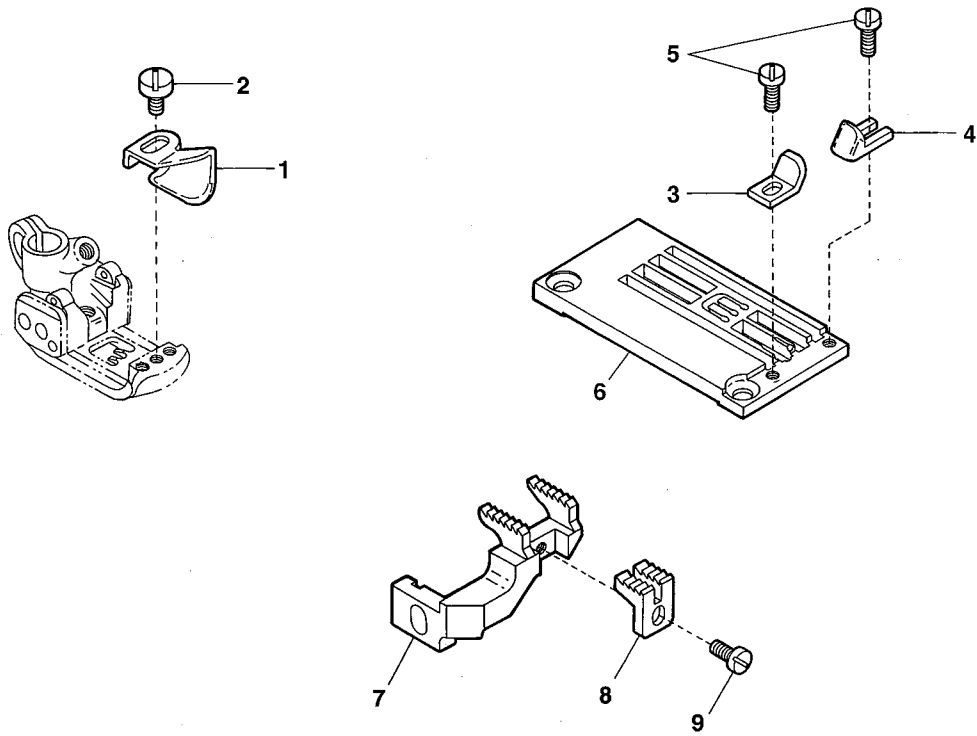
Note : Part No. 3180113 of Ref No. 33 contains the part numbers of Ref. No. 13 on page 15 and Ref. No. 1 on page 16.

Puller Mechanism, C. Set 3180114 = 3180113+3180112(page 15, Ref. No. 34)+3160183 (page 16, Ref. No. 52)

(注) Ref. No. 33のPart No. 3180113は、15ページのRef. No. 13及び16ページのRef. No. 1の部品を含んだ品番です。

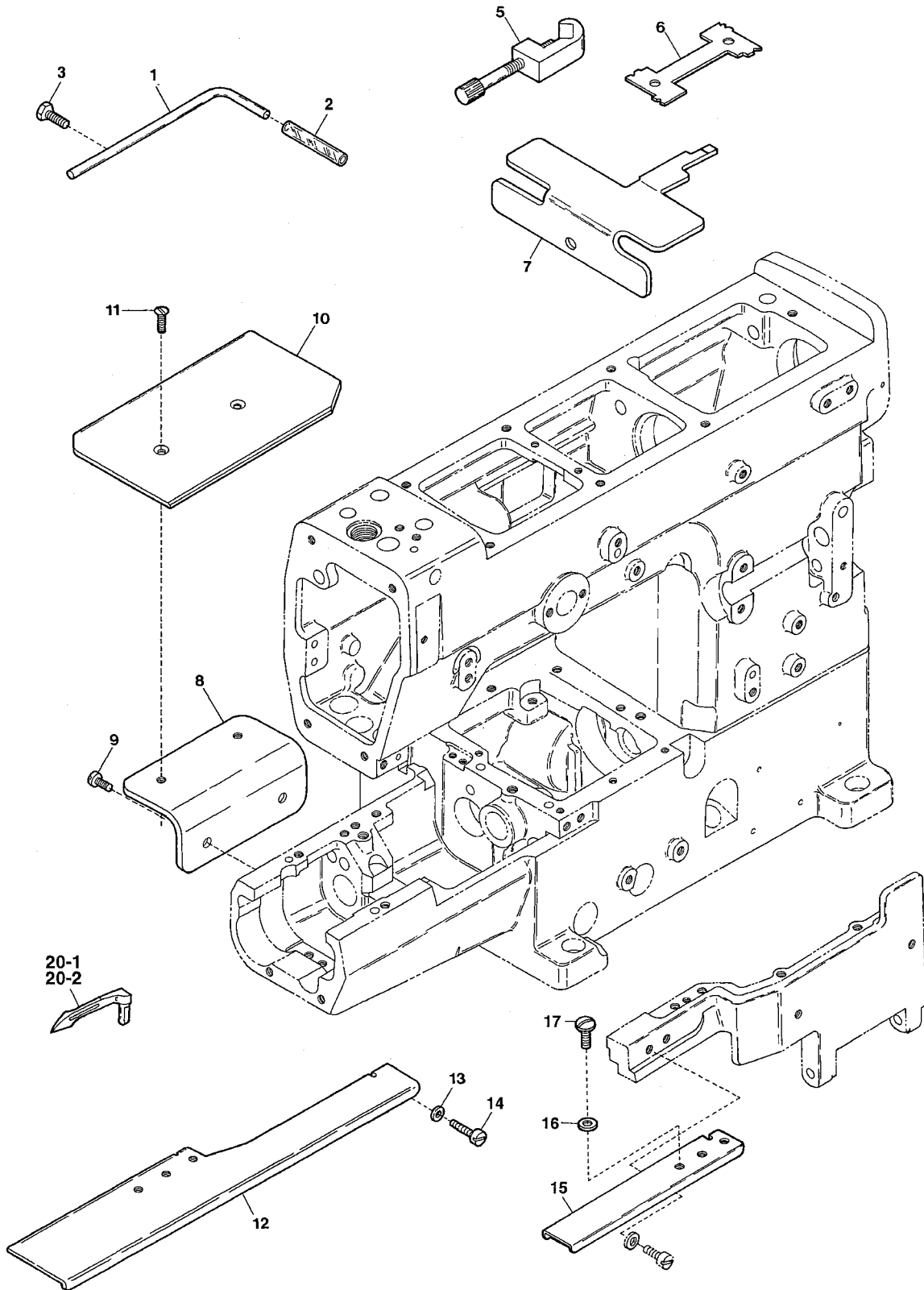
プラー機構(組)3180114=3180113 + 3180112(15ページRef. No.34)+ 3160183(16ページRef.No.52)

VC2713M-156M-K4N



| Ref.No | Parts No. | Description | 品名 | Amt. Req |
|--------|-----------------|---------------------------------------|---------|----------|
| 1 | 3107311 | Fabric Guide | 布ガイド | 1 |
| 2 | 110027 | Screw(M2.5-0.45 × 3.5) | 止ネジ | 1 |
| 3 | 3101320 | Fabric Guide(Left) | 布ガイド(左) | 1 |
| 4 | 3101321 | Fabric Guide(Right) | 布ガイド(右) | 1 |
| 5 | 001228 [110038] | Screw(3/32-56 × 3.2)[M2.5-0.45 × 4.5] | 止ネジ | 2 |
| 6 | 3108221 | Stitch Plate(56M-K4N) | 針板 | 1 |
| 7 | 3139028 | Differential Feed Dog | 前送り | 1 |
| 8 | 3109098 | Differential Feed Dog(Middle) | 中送り | 1 |
| 9 | 110038 | Screw(M2.5-0.45 × 4.5) | 止ネジ | 1 |

EXTRA PARTS(1)



for heavy material
厚物用

18

for light material
薄物用

19

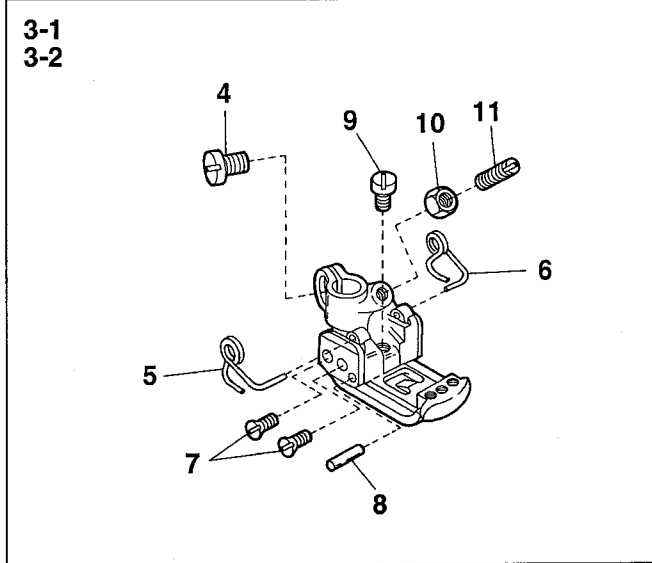
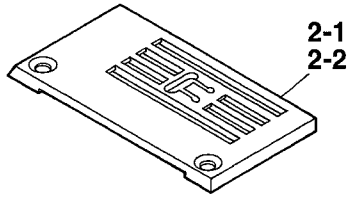
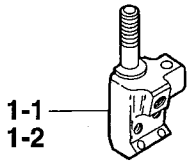
VC2700M-156NM

21

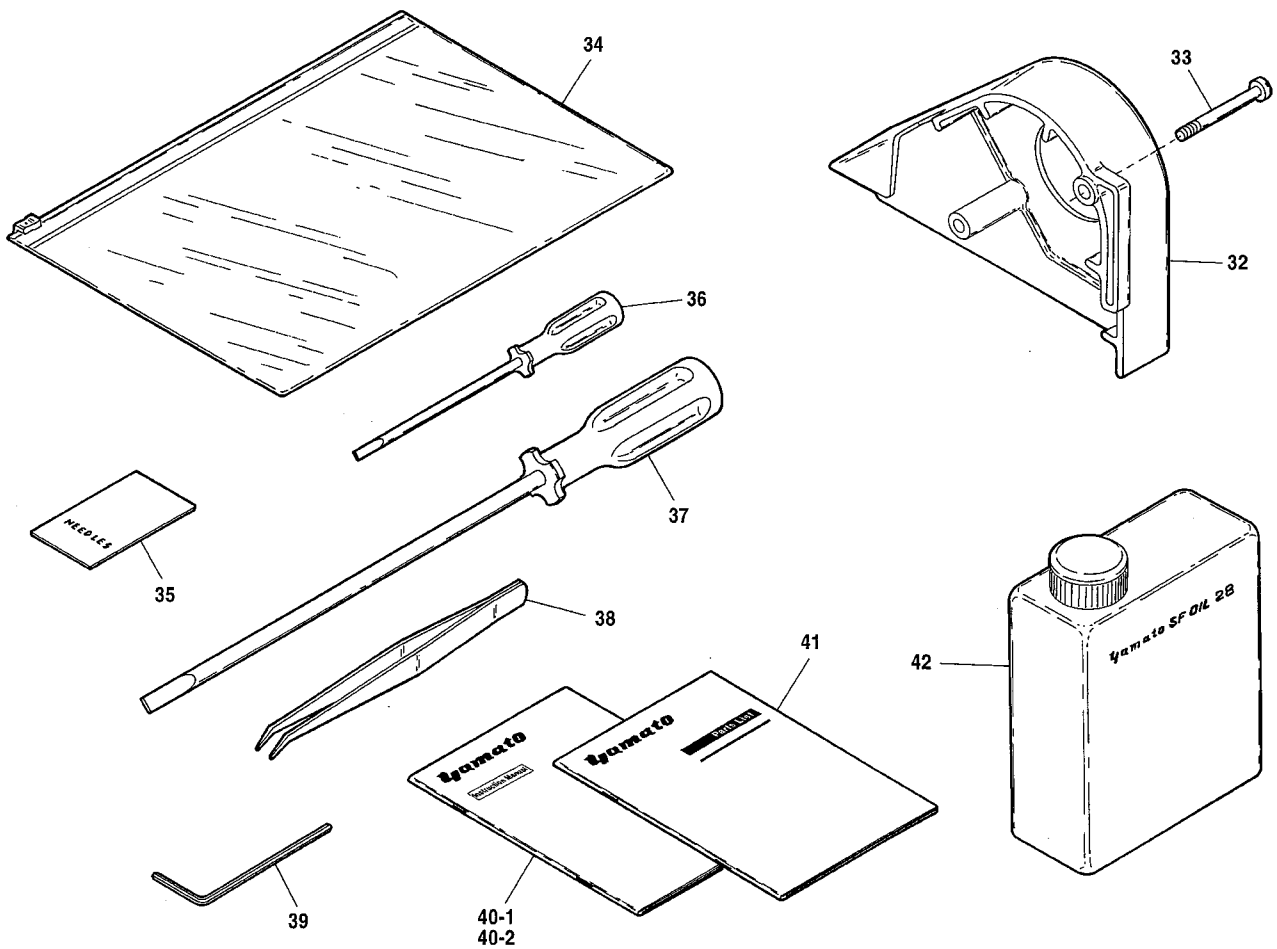
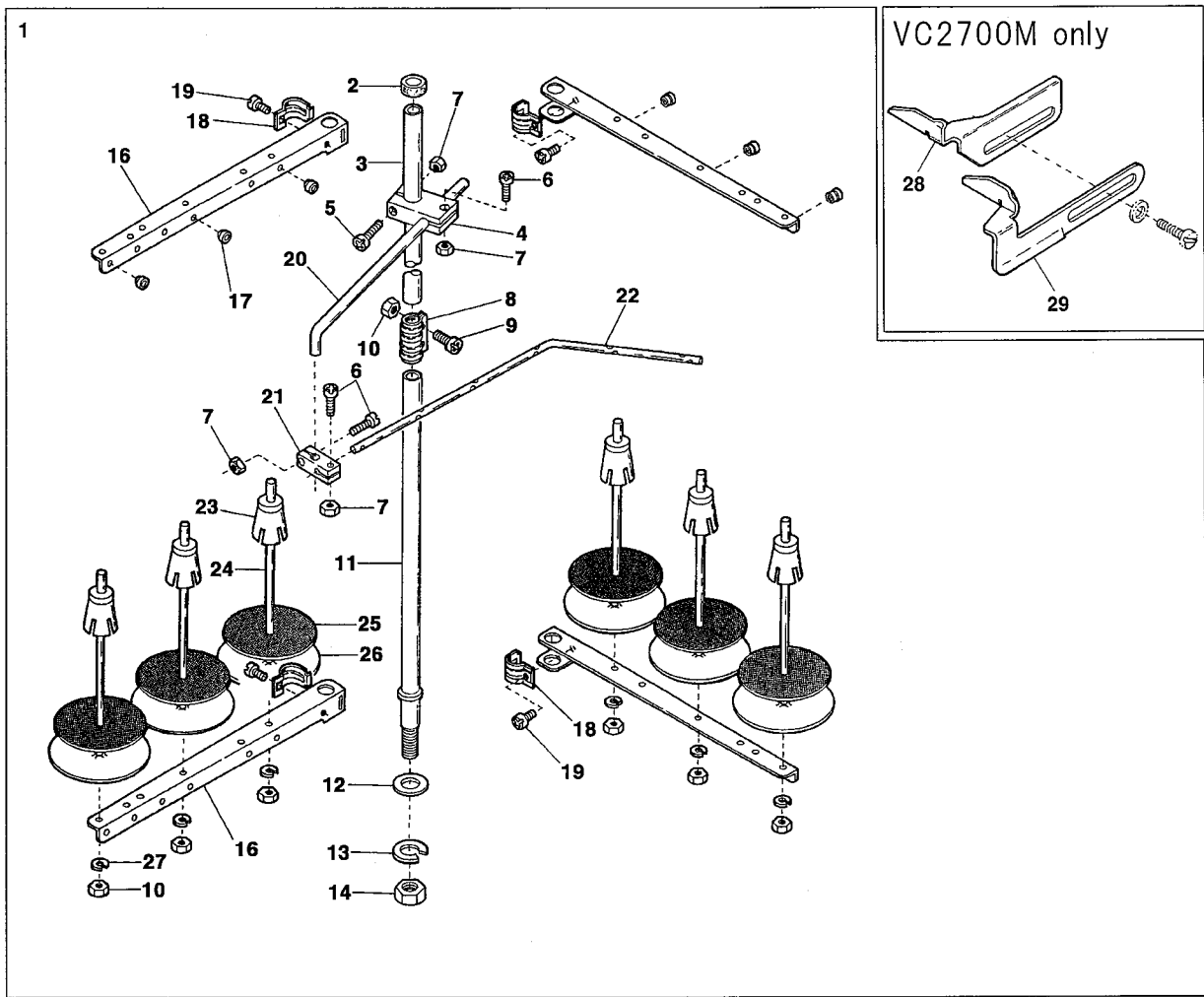
| Ref.No | Parts No. | Description | 品名 | Amt. Req |
|--------|-----------|--------------------------------------|---------------|----------|
| 1 | 0022836 | Synchroniser Positioning Pin | ポジションナピン | 1 |
| 2 | 0022837 | Synchroniser Cushion | ポジションナピンクッション | 1 |
| 3 | 007610 | Screw(M4-0.7 × 10) | 止ネジ | 1 |
| 4 | | | | |
| 5 | 0093690 | Timing Gauge | タイミングゲージ | 1 |
| 6 | 0095220 | Looper Timing Gauge | ルーパタイミングゲージ | 1 |
| 7 | 3100490 | Timing Gauge | タイミングゲージ | 1 |
| 8 | 3101206 | Supplementary Rear Cover Support | 補助カバー(後)取付板 | 1 |
| 9 | 120006 | Screw(M6-1 × 12) | 止ネジ | 2 |
| 10 | 3101205 | Supplementary Rear Cover | 補助カバー(後) | 1 |
| 11 | 130003 | Screw(M4-0.7 × 7.3) | 止ネジ | 2 |
| 12 | 3101207 | Supplementary Front Cover(Large) | 補助カバー(大) | 1 |
| 13 | 000538 | Washer | ワッシャ | 3 |
| 14 | 110009 | Screw(M4-0.7 × 8) | 止ネジ | 3 |
| 15 | 3100033 | Supplementary Front Cover | 補助カバー | 1 |
| 16 | 000426 | Washer | ワッシャ | 2 |
| 17 | 110103 | Screw(M5-0.8 × 8) | 止ネジ | 2 |
| 18 | 3109210 | Needle Guard(Rear) | 針受ケ(後) | 1 |
| 19 | 3109201 ◆ | Needle Guard(Rear) | 針受ケ(後) | 1 |
| 20-1 | 3109301 ◆ | Looper(32, 40, 56, 64)(hard plating) | ルーパ(硬質メッキ) | 1 |
| 20-2 | 3109303 ◆ | Looper(48)(hard plating) | ルーパ(硬質メッキ) | 1 |
| 21 | 3108225 ◆ | Stitch Plate(56NM) | 針板 | 1 |

EXTRA PARTS(2)

VC2700M-132M, 140M
2-Needle

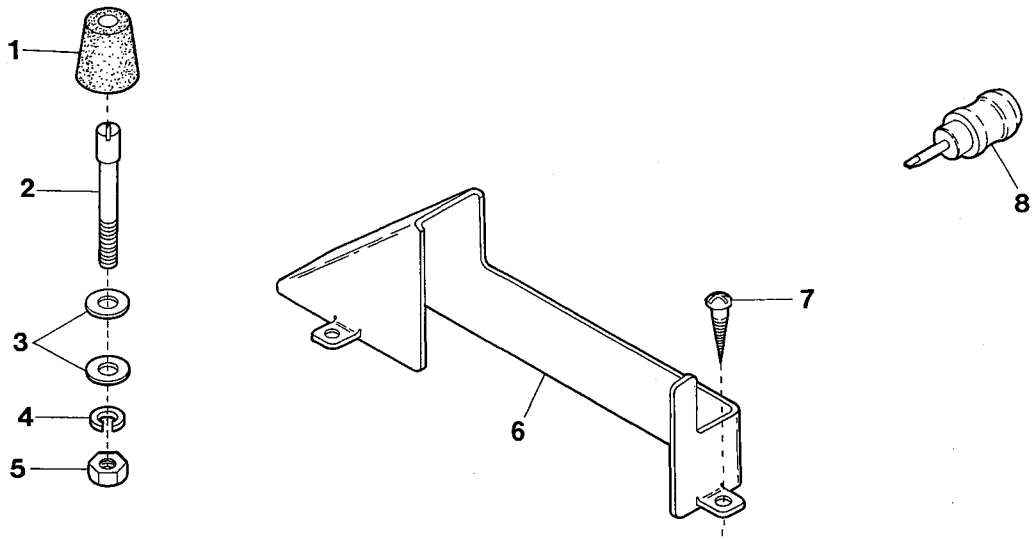


| Ref.No | Parts No. | Description | 品 名 | Amt. Req |
|--------|-----------|-------------------------------|----------|----------|
| 1-1 | 0093351 | Needle Clamp(32) | 針止メ | 1 |
| 1-2 | 0093352 | Needle Clamp(40) | 針止メ | 1 |
| 2-1 | 3108130 | Stitch Plate(32M) | 針板 | 1 |
| 2-2 | 3108131 | Stitch Plate(40M) | 針板 | 1 |
| 3-1 | 3507000 | Presser Foot, C. Set(32) | 押エ(組) | 1 |
| 3-2 | 3507002 | Presser Foot, C. Set(40) | 押エ(組) | 1 |
| 4 | 110004 | Screw(M3.5-0.6 × 8) | 止ネジ | 1 |
| 5 | 3107303 | Presser Foot Spring(Left) | 小押エバネ(左) | 1 |
| 6 | 3107304 | Presser Foot Spring(Right) | 小押エバネ(右) | 1 |
| 7 | 130016 | Screw(M2.5-0.45 × 6) | 止ネジ | 4 |
| 8 | 3107306 | Presser Foot Hinge Pin | 押エヒンジピン | 1 |
| 9 | 110084 | Screw(M3-0.5 × 4.2) | 止ネジ | 1 |
| 10 | 000327 | Lock Nut | ロックナット | 1 |
| 11 | 260006 | Adjusting Screw(1/8-44 × 9.5) | 止ネジ | 1 |

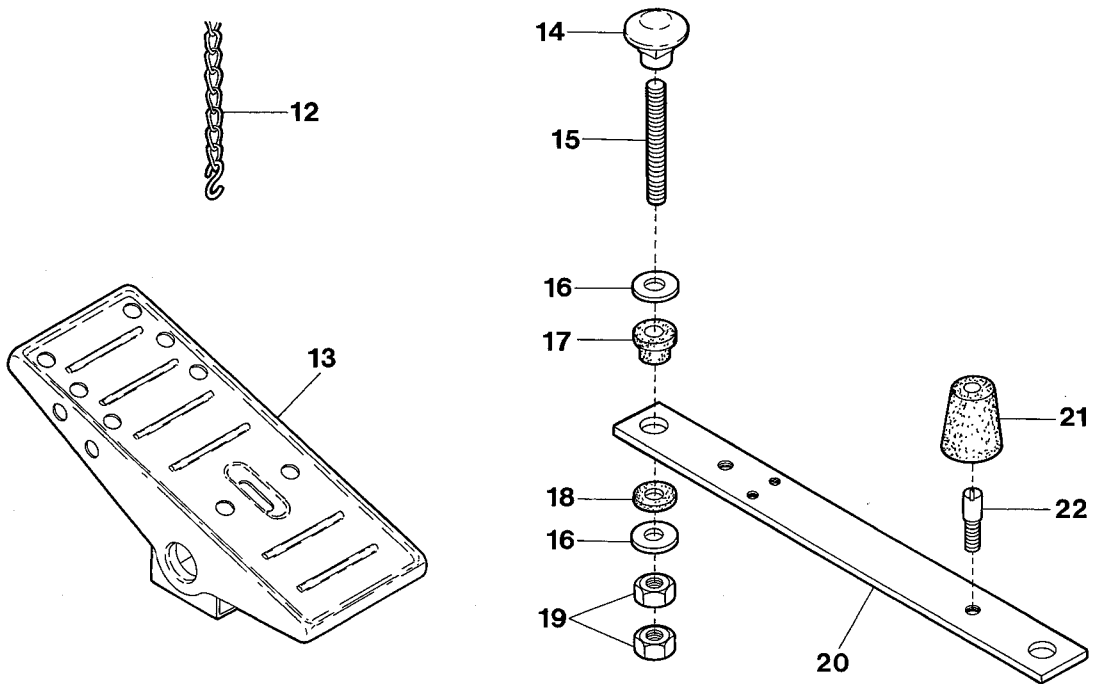


| Ref.No | Parts No. | Description | 品名 | Amt. Req |
|--------|-----------|-------------------------------------|---------------|----------|
| 1 | 9620696 | Thread Stand, C. Set(6 Spools Type) | 糸立台(組)(6本糸用) | 1 |
| 2 | 9620631 | Column Cap | コラムキャップ | 1 |
| 3 | 9620670 | Column Pipe(Upper) | コラムパイプ(上) | 1 |
| 4 | 9620689 | Thread Guide Holder(Large) | ガイドホルダ(大) | 1 |
| 5 | 911002 | Screw(M4-0.7 × 20) | 止ネジ | 1 |
| 6 | 911001 | Screw(M4-0.7 × 12) | 止ネジ | 3 |
| 7 | 910001 | Nut | ナット | 4 |
| 8 | 9620673 | Column Pipe Connector | コラムパイプ継手 | 1 |
| 9 | 911006 | Screw(M5-0.8 × 13) | 止ネジ | 2 |
| 10 | 910000 | Nut | ナット | 8 |
| 11 | 9620675 | Column Pipe(Lower) | コラムパイプ(下) | 1 |
| 12 | 930052 | Washer | ワッシャ | 1 |
| 13 | 930053 | Spring Washer | スプリングワッシャ | 1 |
| 14 | 910003 | Nut | ナット | 1 |
| 15 | | | | |
| 16 | 9620703 | Thread Hanger(3 Spools Type) | スレッドハンガ(3本糸用) | 4 |
| 17 | 9620700 | Thread Eyelet | アイレット | 6 |
| 18 | 9620688 | Thread Hanger Holder | スレッドハンガ抱キ | 4 |
| 19 | 911060 | Screw(M6-1 × 15) | 止ネジ | 4 |
| 20 | 9620691 | Thread Guide Arm | ガイドアーム | 1 |
| 21 | 9620690 | Thread Guide Holder(Small) | ガイドホルダ(小) | 1 |
| 22 | 9620666 | Thread Guide(6 Spools Type) | スレッドガイド(6本糸用) | 1 |
| 23 | 9620678 | Spool Cushion | スプールのクッション | 6 |
| 24 | 9620679 | Spool Pin | スプールの軸 | 6 |
| 25 | 9620680 | Spool Mat | スプールのマット | 6 |
| 26 | 9620681 | Spool Seat Disc | 受け皿 | 6 |
| 27 | 930055 | Spring Washer | スプリングワッシャ | 6 |
| 28 | 3101101 | Edge Guide(Right) | 定規(右) | 1 |
| 29 | 3101100 | Edge Guide(Left) | 定規(左) | 1 |
| 30 | | | | |
| 31 | | | | |
| 32 | 3500700 | Belt Cover | ベルトカバー | 1 |
| 33 | 110028 | Screw(M6-1 × 46) | 止ネジ | 2 |
| 34 | 962003 | Bag | 袋 | 1 |
| 35 | — | Needle(System : UY × 128GAS) | 針 | 5 |
| 36 | 0099094 | Screwdriver(2.5 × 75mm) | ドライバ | 1 |
| 37 | 0099091 | Screwdriver(5.5 × 200mm) | ドライバ | 1 |
| 38 | 0099051 | Thread Tweezers | ピンセット | 1 |
| 39 | 9620202 | Hexagonal Wrench(2.0mm) | 六角レンチ | 1 |
| 40-1 | 9720236 | Instruction Book | | 1 |
| 40-2 | 9720235 | | 取扱説明書 | 1 |
| 41 | 9710111 | Parts Book | パーツブック | 1 |
| 42 | 9620008 | SF Oil 28(1ℓ) | 油 | 1 |

Table top installation 上乘せ式
(with UT-A, UT Device)

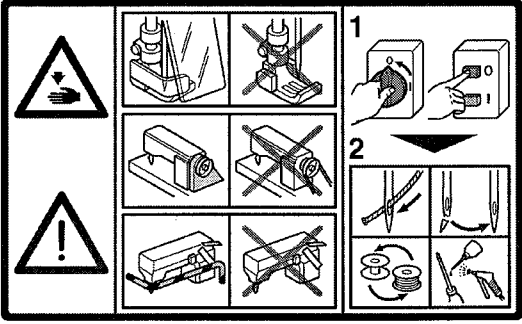
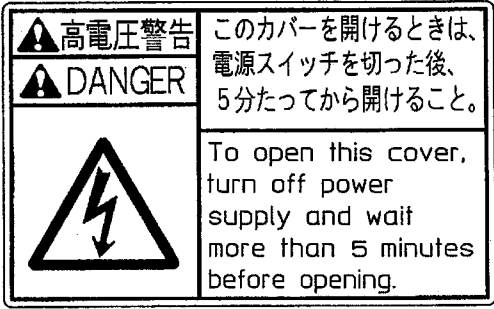






Semi-submerged installation 半沈式
(without UT-A, UT Device)



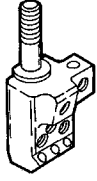
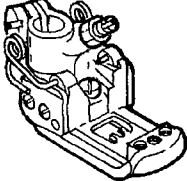
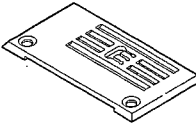
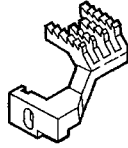
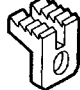
| Ref.No | Parts No. | Description | 品名 | Amt. Req |
|--------|-----------|-------------------------------------|-----------|----------|
| 1 | 0063009 | Oil Reservoir Rubber Cushion | ゴム座 | 4 |
| 2 | 180008 | Setting Screw(M6-1 × 63) | 取付ケネジ | 4 |
| 3 | 000528 | Washer | ワッシャ | 8 |
| 4 | 000667 | Spring Washer | スプリングワッシャ | 4 |
| 5 | 000011 | Nut | ナット | 4 |
| 6 | 3100036 | Belt Cover(Lower) | ベルトカバー(下) | 1 |
| 7 | 006905 | Wood Screw(ϕ 5.1 × 20) | 木ネジ | 3 |
| 8 | 0037988 | Screwdriver(Short) | ミニドライバ | 1 |
| 9 | | | | |
| 10 | | | | |
| 11 | | | | |
| 12 | 0037912 | Chain | 鎖 | 1 |
| 13 | 9611074 | Presser Foot Pedal | 押上げペダル | 1 |
| 14 | 000070 | Hanging Nut | 吊りナット | 4 |
| 15 | 009858 | Hanging Bolt(M8-1.25 × 75) | 吊りボルト | 4 |
| 16 | 000162 | Washer | ワッシャ | 8 |
| 17 | 0020064 | Supporting Board Rubber Cushion | 受け板ゴム座 | 4 |
| 18 | 0063010 | SupportingBoardRubberCushion(Lower) | 受け板ゴム座(下) | 4 |
| 19 | 000016 | Nut | ナット | 8 |
| 20 | 3100008 | Supporting Board | 油受け板 | 2 |
| 21 | 0063009 | Oil Reservoir Rubber Cushion | ゴム座 | 4 |
| 22 | 180009 | Setting Screw(M6-1 × 16) | 取付ケネジ | 4 |

WARNING LABEL 警告ラベル

| LABEL ラベル | Parts No. 品番 | Description 品名 |
|---|-----------------|--|
|  | 390220 | SAFETY INSTRUCTON LABEL |
|  | 390144 | DANGER : WARNING OF ELECTRIC SHOCK BY HIGH-VOLTAGE 感電注意ラベル |
|  | 390145 | "Be sure to connect earth line". アースラベル |
|  | 390146 | ROTATING-DIRECTION SYMBOL : CHECK CORRECT ROTATING DIRECTION 回転方向表示ラベル |
|  | 390147 | EYE GUARD : TAKE CARE NOT CAUSE INJURY TO EYES BELT COVER : DO NOT INSERT FINGERS ケガ注意ラベル |
|  | 390148 | CAUTION FOR HIGH TEMPERATURE : DO NOT TOUCH STEPPING MOTOR AND SOLENOID 高温注意ラベル |

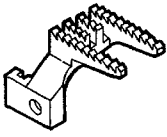
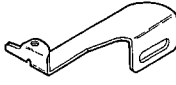
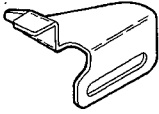




LIST of MAIN SPARE PARTS
(主要部品リスト)

VC2700M Class LIST of MAIN SPARE PARTS(主要部品リスト)

| Main Parts Models |  |  |  |  |  |
|----------------------|---|---|--|---|---|
| | Needle Clamp 針止メ | Presser Foot, C. Set 押工(組) | Stitch Plate 針板 | Differential Feed Dog 前送り | Differential Feed Dog (Middle) 中送り |
| VC2700M-148M | 0093356 | 3507050 | 3108133 | 3109000 | _____ |
| 156M | 0093357 | 3507052 | 3108134 | " | _____ |
| 164M | 0093358 | 3507054 | 3108135 | 3109002 | _____ |
| | | | | | |
| | | | | | |
| VC2700M-132M * | 0093351 | 3507000 | 3108130 | 3109000 | _____ |
| 140M * | 0093552 | 3507002 | 3108131 | " | _____ |
| | | | | | |
| | | | | | |
| VC2713M-156M-K4N | 0093357 | 3507052 | 3108221 | 3109000 | 3109098 |
| VC2713MP-156M-K4N | " | " | " | " | " |
| | | | | | |
| | | | | | |

Note : The models with * have 2 needs.

(注) * の付いている機種は2本針です。

|  |  |  |  |  |  |  |
|---|---|---|---|--|---|---|
| Main Feed Dog | Folder (Left) | Folder (Right) | Fabric Guide (Left) | Fabric Guide (Right) | Fabric Guide | Looper |
| 後送り | 定規(左) | 定規(右) | 布ガイド(左) | 布ガイド(右) | 布ガイド | ルーパ |
| 3106000 | 3100630 | 3100631 | _____ | _____ | _____ | 3109302 |
| " | " | " | _____ | _____ | _____ | 3109300 |
| 3106001 | " | " | _____ | _____ | _____ | " |
| | | | | | | |
| | | | | | | |
| 3106000 | 3100630 | 3100631 | _____ | _____ | _____ | 3109300 |
| " | " | " | _____ | _____ | _____ | " |
| | | | | | | |
| | | | | | | |
| 3106000 | _____ | _____ | 3101320 | 3101321 | 3107311 | 3109300 |
| " | _____ | _____ | " | " | " | " |
| | | | | | | |
| | | | | | | |

INDEX

VC2700M

Page = 1

| Parts No. | Page No. | Ref. No. | Weight(g) | Parts No. | Page No. | Ref. No. | Weight(g) | Parts No. | Page No. | Ref. No. | Weight(g) |
|-----------|----------|----------|-----------|-----------|----------|----------|-----------|-----------|----------|----------|-----------|
| 000010 | 4 | 29 | | 000528 | 31 | 3 | | 001093 | 3 | 47 | |
| 000011 | 27 | 10 | | 000531 | 5 | 40 | | 001107 | 5 | 14 | |
| 000011 | 31 | 5 | | 000538 | 2 | 34 | | 001107 | 11 | 30 | |
| 000012 | 26 | 43 | | 000538 | 3 | 33 | | 001123 | 10 | 48 | |
| 000012 | 28 | 20 | | 000538 | 16 | 46 | | 001123 | 23 | 31 | |
| 000014 | 20 | 2 | | 000538 | 17 | 3 | | 001123 | 28 | 48 | |
| 000014 | 25 | 37 | | 000538 | 19 | 12 | | 001170 | 8 | 56 | |
| 000015 | 2 | 24 | | 000538 | 29 | 13 | | 001174 | 6 | 25 | |
| 000016 | 27 | 5 | | 000547 | 4 | 30 | | 001457 | 25 | 22 | |
| 000016 | 31 | 19 | | 000548 | 7 | 4 | | 001459 | 19 | 21 | |
| 000070 | 27 | 3 | | 000555 | 6 | 31 | | 001459 | 24 | 18 | |
| 000070 | 31 | 14 | | 000561 | 11 | 48 | | 001818 | 3 | 50 | |
| 000140 | 25 | 4 | | 000567 | 13 | 22 | | 001900 | 7 | 9 | |
| 000145 | 25 | 20 | | 000588 | 27 | 12 | | | | | |
| 000162 | 27 | 4 | | 000597 | 25 | 6 | | 002043 | 7 | 6 | |
| 000162 | 31 | 16 | | 000598 | 25 | 5 | | | | | |
| 000177 | 3 | 6 | | 000600 | 6 | 35 | | 004182 | 2 | 36 | |
| 000195 | 4 | 32 | | 000600 | 11 | 44 | | 004236 | 4 | 26 | |
| 000199 | 12 | 40 | | 000600 | 13 | 8 | | 004312 | 6 | 27 | |
| 000234 | 5 | 33 | | 000600 | 22 | 4 | | 004358 | 7 | 2 | |
| 000290 | 6 | 17 | | 000613 | 15 | 17 | | 004358 | 8 | 45 | |
| 000304 | 5 | 18 | | 000613 | 17 | 29 | | 004440 | 8 | 5 | |
| 000306 | 15 | 18 | | 000629 | 28 | 18 | | 004440 | 10 | 38 | |
| 000306 | 27 | 13 | | 000636 | 13 | 6 | | 004441 | 8 | 7 | |
| 000321 | 7 | 21 | | 000637 | 7 | 33 | | | | | |
| 000322 | 23 | 27 | | 000637 | 10 | 40 | | 005049 | 11 | 45 | |
| 000322 | 28 | 45 | | 000644 | 23 | 26 | | 005049 | 22 | 27 | |
| 000327 | 8 | 24 | | 000644 | 28 | 44 | | 005071 | 6 | 24 | |
| 000327 | 18 | 10 | | 000651 | 3 | 34 | | 005071 | 10 | 35 | |
| 000334 | 4 | 31 | | 000665 | 2 | 23 | | 005075 | 1 | 34 | |
| 000334 | 17 | 4 | | 000665 | 23 | 20 | | 005650 | 6 | 36 | |
| 000340 | 17 | 17 | | 000665 | 28 | 38 | | 005650 | 17 | 14 | |
| 000360 | 3 | 53 | | 000667 | 31 | 4 | | 005650 | 25 | 8 | |
| 000397 | 5 | 17 | | 000669 | 11 | 43 | | | | | |
| 000397 | 12 | 47 | | 000676 | 27 | 7 | | 006004 | 4 | 28 | |
| 000401 | 12 | 48 | | 000690 | 8 | 29 | | 006035 | 23 | 25 | |
| 000419 | 13 | 23 | | 000690 | 8 | 53 | | 006035 | 28 | 43 | |
| 000425 | 22 | 16 | | 000690 | 17 | 28 | | 006038 | 8 | 27 | |
| 000426 | 22 | 3 | | 000726 | 1 | 39 | | 006038 | 17 | 12 | |
| 000426 | 29 | 16 | | 000740 | 10 | 46 | | 006075 | 17 | 6 | |
| 000445 | 8 | 2 | | 000750 | 12 | 43 | | 006202 | 23 | 22 | |
| 000463 | 5 | 26 | | 000779 | 15 | 3 | | 006202 | 28 | 40 | |
| 000487 | 17 | 31 | | 000779 | 16 | 38 | | 006212 | 11 | 9 | |
| 000492 | 16 | 35 | | 000779 | 17 | 22 | | 006411 | 17 | 16 | |
| 000498 | 20 | 17 | | 000924 | 1 | 20 | | 006905 | 22 | 6 | |
| 000505 | 11 | 41 | | 000926 | 6 | 20 | | 006905 | 31 | 7 | |
| 000528 | 9 | 10 | | 000989 | 6 | 4 | | | | | |
| 000528 | 27 | 11 | | | | | | 007006 | 19 | 24 | |

INDEX

VC2700M

Page = 2

| Parts No. | Page No. | Ref. No. | Weight(g) | Parts No. | Page No. | Ref. No. | Weight(g) | Parts No. | Page No. | Ref. No. | Weight(g) |
|-----------|----------|----------|-----------|-----------|----------|----------|-----------|-----------|----------|----------|-----------|
| 007006 | 24 | 21 | | 0011802 | 25 | 1 | | 0034117 | 17 | 27 | |
| 007610 | 24 | 28 | | | | | | 0034979 | 17 | 5 | |
| 007610 | 29 | 3 | | 0012071 | 20 | 21 | | | | | |
| 007611 | 28 | 11 | | | | | | 0035301 | 27 | 16 | |
| 007621 | 16 | 32 | | 0014120 | 20 | 11 | | 0035813 | 3 | 52 | |
| | | | | | | | | | | | |
| 009142 | 7 | 12 | | 0020064 | 31 | 17 | | | | | |
| 009200 | 8 | 40 | | 0020119 | 3 | 27 | | 0036133 | 22 | 28 | |
| 009508 | 25 | 28 | | 0020137 | 1 | 33 | | 0036133 | 23 | 28 | |
| 009526 | 9 | 23 | | 0020271 | 8 | 15 | | 0036133 | 25 | 19 | |
| 009604 | 8 | 32 | | 0020350 | 11 | 42 | | 0036133 | 28 | 46 | |
| 009604 | 9 | 13 | | 0020759 | 1 | 5 | | 0036175 | 3 | 44 | |
| 009604 | 15 | 9 | | 0020759 | 2 | 46 | | | | | |
| 009730 | 16 | 51 | | | | | | 0037108 | 3 | 51 | |
| 009736 | 12 | 23 | | 0021010 | 13 | 27 | | 0037912 | 27 | 21 | |
| 009736 | 19 | 8 | | | | | | 0037912 | 31 | 12 | |
| 009736 | 24 | 3 | | 0022836 | 19 | 6 | | 0037988 | 31 | 8 | |
| 009737 | 28 | 10 | | 0022836 | 24 | 1 | | | | | |
| 009746 | 28 | 17 | | 0022836 | 29 | 1 | | 0060056 | 16 | 12 | |
| 009749 | 7 | 24 | | 0022837 | 19 | 7 | | 0060057 | 6 | 18 | |
| 009753 | 17 | 21 | | 0022837 | 24 | 2 | | 0060142 | 8 | 8 | |
| 009784 | 4 | 24 | | 0022837 | 29 | 2 | | 0060175 | 4 | 27 | |
| 009791 | 23 | 16 | | | | | | 0060176 | 4 | 25 | |
| 009791 | 28 | 34 | | 0023381 | 19 | 3 | | | | | |
| 009853 | 27 | 19 | | | | | | 0063009 | 31 | 1 | |
| 009858 | 31 | 15 | | 0024083 | 3 | 2 | | 0063009 | 31 | 21 | |
| 009865 | 27 | 6 | | 0024084 | 3 | 1 | | 0063010 | 31 | 18 | |
| 009931 | 17 | 18 | | | | | | 0063044 | 7 | 3 | |
| 009970 | 27 | 9 | | 0030255 | 3 | 3 | | 0063051 | 9 | 19 | |
| 009976 | 20 | 8 | | 0030711 | 13 | 20 | | 0063053 | 9 | 20 | |
| 009984 | 20 | 36 | | | | | | 0063055 | 4 | 6 | |
| 009984 | 25 | 16 | | 0031111 | 3 | 7 | | 0063056 | 9 | 21 | |
| 009985 | 24 | 11 | | 0031831 | 14 | 6 | | 0063057 | 9 | 22 | |
| | | | | | | | | 0063074 | 3 | 49 | |
| 0010017 | 14 | 22 | | 0032425 | 3 | 45 | | 0063076 | 19 | 18 | |
| 0010055 | 22 | 18 | | 0032426 | 3 | 46 | | 0063076 | 24 | 14 | |
| 0010057 | 20 | 14 | | 0032646 | 9 | 12 | | 0063083 | 8 | 28 | |
| 0010108 | 22 | 8 | | 0032786 | 27 | 20 | | 0063084 | 8 | 30 | |
| 0010119 | 22 | 22 | | 0032799 | 11 | 3 | | 0063087 | 8 | 4 | |
| 0010254 | 20 | 15 | | 0032853 | 12 | 26 | | 0063096 | 6 | 37 | |
| 0010264 | 22 | 9 | | 0032921 | 15 | 22 | | 0063216 | 13 | 17 | |
| 0010923 | 20 | 34 | | 0032952 | 3 | 4 | | 0063217 | 13 | 16 | |
| | | | | | | | | 0063515 | 8 | 52 | |
| 0011720 | 20 | 33 | | 0033024 | 2 | 19 | | 0063579 | 25 | 3 | |
| 0011733 | 27 | 8 | | 0033024 | 19 | 25 | | 0063586 | 24 | 10 | |
| 0011795 | 14 | 24 | | 0033024 | 24 | 22 | | 0063606 | 25 | 14 | |
| 0011795 | 22 | 11 | | 0033024 | 27 | 17 | | 0063607 | 20 | 30 | |
| 0011801 | 25 | 2 | | 0033939 | 22 | 7 | | 0063607 | 25 | 12 | |

INDEX

VC2700M

Page = 3

| Parts No. | Page No. | Ref. No. | Weight(g) | Parts No. | Page No. | Ref. No. | Weight(g) | Parts No. | Page No. | Ref. No. | Weight(g) |
|-----------|----------|----------|-----------|-----------|----------|----------|-----------|-----------|----------|----------|-----------|
| 0063608 | 20 | 1 | | 0077179 | 26 | 46 | | 0094566 | 9 | 6 | |
| 0063608 | 25 | 17 | | 0077270 | 8 | 1 | | | | | |
| 0063609 | 20 | 35 | | 0077322 | 9 | 4 | | 0095027 | 17 | 10 | |
| 0063609 | 25 | 15 | | 0077410 | 25 | 7 | | 0095168 | 6 | 26 | |
| 0063610 | 25 | 11 | | | | | | 0095170 | 6 | 23 | |
| 0063612 | 19 | 4-2 | | 0090068 | 3 | 40 | | 0095214 | 6 | 7 | |
| 0063612 | 24 | 6 | | 0090071 | 3 | 5 | | 0095220 | 29 | 6 | |
| | | | | 0090807 | 3 | 12 | | 0095334 | 8 | 55 | |
| 0064045 | 27 | 14 | | 0090812 | 3 | 9 | | 0095336 | 25 | 29 | |
| 0064046 | 27 | 15 | | 0090856 | 3 | 11 | | 0095367 | 2 | 35 | |
| 0064047 | 27 | 18 | | | | | | 0095388 | 25 | 21 | |
| | | | | 0093089 | 5 | 4 | | 0095389 | 25 | 23 | |
| 0065275 | 2 | 8 | | 0093154 | 6 | 19 | | | | | |
| 0065340 | 4 | 35 | | 0093184 | 7 | 5 | | 0096025 | 28 | 14 | |
| 0065340 | 7 | 1 | | 0093201 | 4 | 10 | | | | | |
| 0065372 | 8 | 3 | | 0093212 | 7 | 19 | | 0099051 | 30 | 38 | |
| 0065374 | 17 | 8 | | 0093214 | 7 | 16 | | 0099091 | 30 | 37 | |
| 0065375 | 17 | 9 | | 0093303 | 11 | 25 | | 0099094 | 30 | 36 | |
| 0065376 | 17 | 11 | | 0093351 | 18 | 1-1 | | | | | |
| 0065381 | 17 | 1 | | 0093352 | 18 | 1-2 | | 100001 | 28 | 12 | |
| 0065389 | 10 | 32 | | 0093356 | 7 | 7-1 | | 100002 | 10 | 28 | |
| 0065395 | 15 | 11 | | 0093357 | 7 | 7-2 | | 100002 | 13 | 9 | |
| 0065398 | 15 | 8 | | 0093358 | 7 | 7-3 | | 100002 | 20 | 26 | |
| 0065401 | 15 | 16 | | 0093365 | 7 | 10 | | 100002 | 25 | 33 | |
| 0065402 | 17 | 15 | | 0093389 | 12 | 45 | | 100003 | 9 | 11 | |
| 0065404 | 17 | 26 | | 0093479 | 8 | 33 | | 100005 | 11 | 47 | |
| 0065405 | 17 | 23 | | 0093483 | 8 | 6 | | 100006 | 21 | 9 | |
| 0065407 | 17 | 13 | | 0093487 | 8 | 26 | | 100006 | 26 | 9 | |
| 0065414 | 16 | 16 | | 0093491 | 8 | 31 | | 100020 | 28 | 5 | |
| 0065421 | 16 | 17 | | 0093491 | 25 | 27 | | 100058 | 23 | 14 | |
| 0065431 | 16 | 45 | | 0093507 | 8 | 37 | | 100058 | 28 | 32 | |
| 0065435 | 16 | 48 | | 0093508 | 8 | 39 | | | | | |
| 0065436 | 16 | 49 | | 0093509 | 8 | 38 | | 110001 | 23 | 10 | |
| 0065437 | 16 | 50 | | 0093521 | 3 | 38 | | 110001 | 28 | 23 | |
| 0065452 | 14 | 4 | | 0093556 | 3 | 17 | | 110002 | 5 | 25 | |
| 0065453 | 13 | 1 | | 0093611 | 8 | 12 | | 110002 | 7 | 39 | |
| 0065461 | 16 | 34 | | 0093617 | 14 | 2 | | 110002 | 8 | 11 | |
| | | | | 0093690 | 29 | 5 | | 110002 | 16 | 21 | |
| 0067028 | 16 | 44 | | 0093864 | 1 | 11 | | 110002 | 20 | 3 | |
| 0067111 | 17 | 30 | | 0093864 | 2 | 7 | | 110002 | 21 | 22 | |
| 0067126 | 17 | 7 | | | | | | 110002 | 25 | 18 | |
| | | | | 0094201 | 1 | 23 | | 110002 | 26 | 22 | |
| 0068011 | 1 | 4 | | 0094201 | 2 | 40 | | 110002 | 26 | 55 | |
| 0068206 | 28 | 4 | | 0094387 | 8 | 51 | | 110004 | 6 | 39 | |
| | | | | 0094390 | 8 | 54 | | 110004 | 8 | 18 | |
| 0077179 | 8 | 36 | | 0094396 | 19 | 23 | | 110004 | 12 | 12 | |
| 0077179 | 19 | 19 | | 0094396 | 24 | 20 | | 110004 | 18 | 4 | |
| 0077179 | 24 | 15 | | 0094491 | 19 | 4-1 | | 110004 | 25 | 13 | |

INDEX

VC2700M

Page = 4

| Parts No. | Page No. | Ref. No. | Weight(g) | Parts No. | Page No. | Ref. No. | Weight(g) | Parts No. | Page No. | Ref. No. | Weight(g) |
|-----------|----------|----------|-----------|-----------|----------|----------|-----------|-----------|----------|----------|-----------|
| 110005 | 10 | 15 | | 110025 | 21 | 25 | | 120008 | 16 | 5 | |
| 110009 | 2 | 43 | | 110025 | 26 | 25 | | 120009 | 2 | 2 | |
| 110009 | 3 | 16 | | 110026 | 5 | 35 | | 120009 | 11 | 18 | |
| 110009 | 5 | 10 | | 110027 | 5 | 29 | | 120011 | 10 | 42 | |
| 110009 | 6 | 12 | | 110027 | 18 | 13 | | 120012 | 15 | 15 | |
| 110009 | 9 | 7 | | 110028 | 30 | 33 | | 120012 | 16 | 3 | |
| 110009 | 11 | 16 | | 110030 | 21 | 6 | | 120013 | 6 | 29 | |
| 110009 | 16 | 47 | | 110030 | 26 | 6 | | 120013 | 9 | 15 | |
| 110009 | 17 | 2 | | 110031 | 2 | 39 | | 120013 | 13 | 28 | |
| 110009 | 19 | 13 | | 110031 | 9 | 26 | | 120013 | 22 | 17 | |
| 110009 | 20 | 5 | | 110034 | 21 | 34 | | 120013 | 25 | 10 | |
| 110009 | 21 | 20 | | 110034 | 26 | 34 | | 120015 | 6 | 30 | |
| 110009 | 24 | 30 | | 110035 | 12 | 37 | | 120015 | 7 | 15 | |
| 110009 | 26 | 20 | | 110036 | 12 | 7 | | 120016 | 1 | 36 | |
| 110009 | 26 | 41 | | 110038 | 18 | 16 | | 120017 | 8 | 35 | |
| 110009 | 29 | 14 | | 110038 | 18 | 20 | | 120019 | 15 | 2 | |
| 110012 | 1 | 24 | | 110039 | 10 | 4 | | 120041 | 16 | 37 | |
| 110012 | 2 | 21 | | 110041 | 1 | 22 | | 120052 | 23 | 21 | |
| 110012 | 6 | 15 | | 110041 | 2 | 16 | | 120052 | 28 | 39 | |
| 110012 | 7 | 41 | | 110041 | 28 | 7 | | | | | |
| 110012 | 13 | 2 | | 110045 | 1 | 2 | | 130002 | 2 | 38 | |
| 110012 | 19 | 5 | | 110045 | 2 | 48 | | 130002 | 16 | 42 | |
| 110012 | 19 | 16 | | 110045 | 13 | 11 | | 130003 | 2 | 6 | |
| 110012 | 24 | 7 | | 110048 | 1 | 15 | | 130003 | 3 | 42 | |
| 110012 | 26 | 58 | | 110054 | 3 | 54 | | 130003 | 16 | 25 | |
| 110013 | 2 | 11 | | 110054 | 8 | 16 | | 130003 | 21 | 13 | |
| 110013 | 3 | 14 | | 110054 | 23 | 17 | | 130003 | 26 | 13 | |
| 110013 | 5 | 42 | | 110054 | 28 | 35 | | 130003 | 29 | 11 | |
| 110013 | 7 | 27 | | 110060 | 28 | 9 | | 130004 | 11 | 40 | |
| 110013 | 7 | 34 | | 110062 | 20 | 31 | | 130004 | 21 | 36 | |
| 110013 | 11 | 50 | | 110062 | 25 | 36 | | 130004 | 26 | 36 | |
| 110013 | 14 | 18 | | 110072 | 12 | 21 | | 130005 | 12 | 15 | |
| 110013 | 22 | 29 | | 110079 | 2 | 44 | | 130005 | 21 | 32 | |
| 110013 | 23 | 29 | | 110084 | 8 | 23 | | 130005 | 26 | 32 | |
| 110013 | 24 | 26 | | 110084 | 18 | 9 | | 130011 | 11 | 36 | |
| 110013 | 28 | 47 | | 110089 | 22 | 25 | | 130016 | 8 | 21 | |
| 110016 | 2 | 26 | | 110097 | 16 | 22 | | 130016 | 18 | 7 | |
| 110017 | 22 | 2 | | 110100 | 3 | 26 | | 130021 | 21 | 18 | |
| 110019 | 10 | 24 | | 110101 | 2 | 42 | | 130021 | 26 | 18 | |
| 110021 | 12 | 25 | | 110101 | 3 | 23 | | | | | |
| 110022 | 12 | 4 | | 110101 | 10 | 9 | | 140010 | 26 | 48 | |
| 110023 | 12 | 22 | | 110103 | 29 | 17 | | 140014 | 26 | 45 | |
| 110023 | 21 | 26 | | | | | | | | | |
| 110023 | 23 | 12 | | 120001 | 8 | 50 | | 150000 | 5 | 23 | |
| 110023 | 26 | 26 | | 120001 | 20 | 10 | | 150001 | 16 | 40 | |
| 110023 | 28 | 29 | | 120006 | 20 | 19 | | 150001 | 24 | 24 | |
| 110024 | 21 | 24 | | 120006 | 29 | 9 | | | | | |
| 110024 | 26 | 24 | | 120008 | 15 | 32 | | 160000 | 1 | 17 | |

INDEX

VC2700M

Page = 5

| Parts No. | Page No. | Ref. No. | Weight(g) | Parts No. | Page No. | Ref. No. | Weight(g) | Parts No. | Page No. | Ref. No. | Weight(g) |
|-----------|----------|----------|-----------|-----------|----------|----------|-----------|-----------|----------|----------|-----------|
| 160000 | 5 | 21 | | 170009 | 8 | 47 | | 320006 | 13 | 4 | |
| 160001 | 2 | 30 | | 170009 | 20 | 6 | | 320010 | 14 | 12 | |
| 160001 | 5 | 31 | | 170009 | 24 | 31 | | | | | |
| 160001 | 8 | 14 | | 170038 | 8 | 48 | | 330000 | 7 | 20 | |
| 160001 | 10 | 18 | | | | | | 330002 | 10 | 20 | |
| 160001 | 11 | 34 | | 180005 | 2 | 31 | | 330011 | 2 | 14 | |
| 160001 | 13 | 21 | | 180005 | 16 | 9 | | 330015 | 12 | 49 | |
| 160001 | 15 | 23 | | 180006 | 20 | 23 | | | | | |
| 160001 | 16 | 10 | | 180006 | 25 | 30 | | 340000 | 1 | 37 | |
| 160002 | 11 | 4 | | 180008 | 31 | 2 | | 340001 | 10 | 27 | |
| 160003 | 9 | 3 | | 180009 | 31 | 22 | | 340001 | 12 | 13 | |
| 160003 | 10 | 31 | | | | | | 340003 | 11 | 22 | |
| 160003 | 12 | 2 | | 190004 | 11 | 46 | | 340004 | 5 | 36 | |
| 160003 | 15 | 30 | | 190005 | 2 | 22 | | 340008 | 10 | 10 | |
| 160003 | 16 | 11 | | 190006 | 21 | 8 | | 340014 | 8 | 57 | |
| 160003 | 25 | 25 | | 190006 | 26 | 8 | | 340025 | 12 | 18 | |
| 160004 | 5 | 13 | | 190007 | 15 | 31 | | | | | |
| 160004 | 6 | 21 | | 190029 | 20 | 27 | | 350009 | 3 | 39 | |
| 160004 | 12 | 51 | | 190029 | 25 | 34 | | | | | |
| 160005 | 5 | 2 | | 190079 | 28 | 24 | | 390165 | 1 | 6 | |
| 160005 | 6 | 2 | | | | | | 390203 | 1 | 12 | |
| 160005 | 16 | 29 | | 240009 | 26 | 53 | | 390204 | 1 | 8 | |
| 160006 | 12 | 42 | | 240010 | 15 | 20 | | | | | |
| 160007 | 5 | 3 | | | | | | 910000 | 30 | 10 | |
| 160007 | 6 | 3 | | 260000 | 7 | 35 | | 910001 | 30 | 7 | |
| 160007 | 9 | 18 | | 260006 | 8 | 25 | | 910003 | 30 | 14 | |
| 160007 | 11 | 2 | | 260006 | 18 | 11 | | | | | |
| 160007 | 12 | 28 | | | | | | 911001 | 30 | 6 | |
| 160007 | 15 | 7 | | 270019 | 23 | 8 | | 911002 | 30 | 5 | |
| 160007 | 16 | 7 | | 270019 | 28 | 27 | | 911006 | 30 | 9 | |
| 160007 | 17 | 24 | | | | | | 911060 | 30 | 19 | |
| 160008 | 5 | 32 | | 290029 | 3 | 8 | | | | | |
| 160015 | 2 | 47 | | | | | | 930052 | 30 | 12 | |
| 160023 | 7 | 37 | | 300000 | 10 | 25 | | 930053 | 30 | 13 | |
| 160024 | 10 | 7 | | 300000 | 13 | 7 | | 930055 | 30 | 27 | |
| 160029 | 10 | 47 | | 300006 | 9 | 8 | | | | | |
| 160040 | 10 | 2 | | 300006 | 11 | 15 | | 962003 | 30 | 34 | |
| | | | | 300045 | 15 | 33 | | | | | |
| 170000 | 28 | 15 | | 300100 | 2 | 29 | | 1062035 | 26 | 42 | |
| 170001 | 2 | 28 | | 300101 | 1 | 26 | | 1062037 | 28 | 3 | |
| 170002 | 1 | 27 | | 300500 | 10 | 5 | | | | | |
| 170003 | 5 | 45 | | | | | | 1066127 | 20 | 32 | |
| 170004 | 3 | 21 | | 310006 | 7 | 32 | | 1066138 | 20 | 29 | |
| 170005 | 21 | 2 | | 310007 | 7 | 30 | | | | | |
| 170005 | 26 | 2 | | 310040 | 6 | 14 | | 1090185 | 22 | 33 | |
| 170006 | 21 | 15 | | 310063 | 15 | 21 | | 1090190 | 7 | 28 | |
| 170006 | 26 | 15 | | 310093 | 5 | 15 | | 1090207 | 22 | 20 | |
| 170008 | 17 | 32 | | | | | | 1090242 | 22 | 21 | |

INDEX

VC2700M

Page =6

| Parts No. | Page No. | Ref. No. | Weight(g) | Parts No. | Page No. | Ref. No. | Weight(g) | Parts No. | Page No. | Ref. No. | Weight(g) |
|-----------|----------|----------|-----------|-----------|----------|----------|-----------|-----------|----------|----------|-----------|
| 1090242 | 22 | 34 | | 3100045 | 1 | 21 | | 3100143 | 10 | 41 | |
| 1090247 | 22 | 19 | | 3100046 | 1 | 25 | | 3100144 | 10 | 45 | |
| 1090248 | 22 | 32 | | 3100050 | 2 | 17 | | 3100145 | 10 | 44 | |
| | | | | 3100051 | 2 | 18 | | 3100146 | 10 | 43 | |
| 1091145 | 23 | 4 | | 3100053 | 2 | 20 | | 3100147 | 10 | 30 | |
| 1091146 | 22 | 13 | | 3100058 | 2 | 15 | | 3100149 | 10 | 33 | |
| 1091160 | 20 | 12 | | 3100061 | 13 | 12 | | 3100150 | 10 | 29 | |
| | | | | 3100076 | 3 | 22 | | 3100151 | 10 | 26 | |
| 1094055 | 22 | 30 | | 3100078 | 6 | 34 | | 3100152 | 10 | 12 | |
| 1094056 | 22 | 24 | | 3100081 | 3 | 48 | | 3100153 | 10 | 22 | |
| | | | | 3100082 | 3 | 25 | | 3100154 | 10 | 6 | |
| 1095001 | 23 | 5 | | 3100083 | 3 | 24 | | 3100155 | 10 | 23 | |
| 1095007 | 19 | 1 | | 3100084 | 3 | 20 | | 3100156 | 10 | 11 | |
| | | | | 3100085 | 3 | 19 | | 3100157 | 10 | 13 | |
| 1096029 | 19 | 2 | | 3100087 | 3 | 43 | | 3100158 | 10 | 14 | |
| 1096029 | 20 | 16 | | 3100088 | 3 | 18 | | 3100159 | 10 | 17 | |
| 1096029 | 22 | 37 | | 3100090 | 4 | 12 | | 3100160 | 10 | 19 | |
| 1096029 | 23 | 30 | | 3100091 | 4 | 13 | | 3100161 | 10 | 21 | |
| 1096030 | 22 | 10 | | 3100092 | 4 | 19 | | 3100179 | 12 | 53 | |
| | | | | 3100093 | 4 | 20 | | 3100182 | 12 | 20 | |
| 1097007 | 22 | 23 | | 3100094 | 4 | 14 | | 3100183 | 12 | 17 | |
| 1097009 | 22 | 1 | | 3100095 | 4 | 15 | | 3100184 | 12 | 19 | |
| | | | | 3100096 | 4 | 16 | | 3100185 | 12 | 16 | |
| 1098013 | 22 | 36 | | 3100097 | 4 | 17 | | 3100186 | 12 | 14 | |
| | | | | 3100098 | 4 | 11 | | 3100187 | 12 | 11 | |
| 1200391 | 22 | 35 | | 3100099 | 4 | 3 | | 3100188 | 12 | 24 | |
| 1200395 | 22 | 31 | | 3100100 | 4 | 5 | | 3100189 | 11 | 8 | |
| | | | | 3100103 | 11 | 23 | | 3100190 | 11 | 7 | |
| 1253240 | 22 | 5 | | 3100104 | 11 | 24 | | 3100191 | 11 | 10 | |
| | | | | 3100110 | 8 | 9 | | 3100192 | 11 | 6 | |
| 2049401 | 1 | 40 | | 3100112 | 8 | 10 | | 3100192 | 15 | 25 | |
| | | | | 3100113 | 2 | 12 | | 3100193 | 11 | 11 | |
| 2100902 | 16 | 13 | | 3100121 | 5 | 12 | | 3100194 | 11 | 12 | |
| | | | | 3100122 | 5 | 8 | | 3100195 | 11 | 13 | |
| 2150325 | 13 | 10 | | 3100123 | 5 | 11 | | 3100196 | 11 | 14 | |
| | | | | 3100125 | 5 | 22 | | 3100197 | 11 | 17 | |
| 3100004 | 1 | 28 | | 3100126 | 5 | 20 | | 3100199 | 11 | 19 | |
| 3100005 | 1 | 29 | | 3100127 | 5 | 9 | | 3100200 | 11 | 21 | |
| 3100006 | 2 | 45 | | 3100127 | 6 | 11 | | 3100201 | 11 | 26 | |
| 3100006 | 4 | 18 | | 3100128 | 5 | 5 | | 3100202 | 11 | 20 | |
| 3100006 | 15 | 4 | | 3100129 | 6 | 6 | | 3100203 | 11 | 28 | |
| 3100008 | 31 | 20 | | 3100130 | 5 | 1 | | 3100204 | 11 | 32 | |
| 3100016 | 2 | 10 | | 3100131 | 5 | 6 | | 3100205 | 11 | 31 | |
| 3100020 | 2 | 4 | | 3100131 | 6 | 5 | | 3100206 | 11 | 35 | |
| 3100033 | 29 | 15 | | 3100132 | 5 | 7 | | 3100207 | 11 | 33 | |
| 3100034 | 2 | 41 | | 3100140 | 10 | 34 | | 3100208 | 11 | 29 | |
| 3100036 | 31 | 6 | | 3100141 | 10 | 37 | | 3100209 | 11 | 39 | |
| 3100042 | 1 | 16 | | 3100142 | 10 | 39 | | 3100210 | 11 | 38 | |

INDEX

VC2700M

Page = 7

| Parts No. | Page No. | Ref. No. | Weight(g) | Parts No. | Page No. | Ref. No. | Weight(g) | Parts No. | Page No. | Ref. No. | Weight(g) |
|-----------|----------|----------|-----------|-----------|----------|----------|-----------|-----------|----------|----------|-----------|
| 3100211 | 11 | 27 | | 3100301 | 9 | 5 | | 3100509 | 21 | 29 | |
| 3100212 | 12 | 44 | | 3100302 | 9 | 1 | | 3100509 | 26 | 29 | |
| 3100213 | 12 | 38 | | 3100303 | 9 | 14 | | 3100510 | 21 | 30 | |
| 3100214 | 12 | 41 | | 3100304 | 9 | 16 | | 3100510 | 26 | 30 | |
| 3100215 | 12 | 39 | | 3100305 | 9 | 17 | | 3100511 | 21 | 31 | |
| 3100216 | 11 | 5 | | 3100307 | 9 | 24 | | 3100511 | 26 | 31 | |
| 3100217 | 11 | 1 | | 3100309 | 9 | 9 | | 3100512 | 21 | 23 | |
| 3100218 | 12 | 46 | | 3100310 | 8 | 13 | | 3100512 | 26 | 23 | |
| 3100219 | 12 | 50 | | 3100329 | 13 | 14 | | 3100513 | 21 | 5 | |
| 3100220 | 11 | 49 | | 3100330 | 13 | 26 | | 3100513 | 26 | 5 | |
| 3100221 | 12 | 30 | | 3100331 | 13 | 29 | | 3100514 | 21 | 4 | |
| 3100222 | 12 | 31 | | 3100331 | 14 | 15 | | 3100514 | 26 | 4 | |
| 3100224 | 12 | 33 | | 3100332 | 14 | 11 | | 3100515 | 21 | 14 | |
| 3100225 | 12 | 27 | | 3100334 | 14 | 17 | | 3100515 | 26 | 14 | |
| 3100226 | 12 | 36 | | 3100336 | 14 | 9 | | 3100516 | 21 | 33 | |
| 3100229 | 12 | 29 | | 3100338 | 7 | 36 | | 3100516 | 26 | 33 | |
| 3100231 | 12 | 32 | | 3100342 | 14 | 13 | | 3100517 | 21 | 19 | |
| 3100235 | 11 | 37 | | 3100343 | 14 | 16 | | 3100517 | 26 | 19 | |
| 3100241 | 12 | 5 | | 3100345 | 13 | 13 | | 3100518 | 21 | 21 | |
| 3100242 | 12 | 3 | | 3100349 | 13 | 24 | | 3100518 | 26 | 21 | |
| 3100243 | 12 | 1 | | 3100354 | 14 | 8 | | 3100520 | 25 | 24 | |
| 3100245 | 12 | 9 | | 3100355 | 10 | 36 | | 3100523 | 20 | 24 | |
| 3100246 | 12 | 8 | | 3100356 | 14 | 19 | | 3100523 | 25 | 31 | |
| 3100250 | 7 | 31 | | 3100357 | 14 | 7 | | 3100524 | 25 | 9 | |
| 3100253 | 7 | 29 | | 3100358 | 14 | 14 | | 3100525 | 24 | 29 | |
| 3100254 | 7 | 26 | | 3100370 | 14 | 20 | | 3100526 | 24 | 27 | |
| 3100256 | 7 | 25 | | 3100371 | 14 | 10 | | 3100529 | 19 | 15 | |
| 3100260 | 5 | 37 | | 3100383 | 3 | 35 | | 3100529 | 24 | 12 | |
| 3100261 | 5 | 38 | | 3100384 | 3 | 36 | | 3100530 | 21 | 38 | |
| 3100262 | 5 | 30 | | 3100386 | 3 | 37 | | 3100530 | 26 | 38 | |
| 3100263 | 5 | 24 | | 3100400 | 2 | 3-2 | | 3100532 | 25 | 26 | |
| 3100264 | 5 | 27 | | 3100410 | 10 | 8 | | 3100533 | 8 | 49 | |
| 3100265 | 5 | 28 | | 3100442 | 3 | 41 | | 3100535 | 24 | 9 | |
| 3100266 | 5 | 39 | | 3100490 | 29 | 7 | | 3100536 | 24 | 8 | |
| 3100267 | 5 | 34 | | 3100502 | 21 | 3 | | 3100538 | 20 | 28 | |
| 3100268 | 5 | 41 | | 3100502 | 26 | 3 | | 3100538 | 25 | 35 | |
| 3100269 | 5 | 44 | | 3100503 | 21 | 10 | | 3100560 | 21 | 35 | |
| 3100270 | 5 | 43 | | 3100503 | 26 | 10 | | 3100560 | 26 | 35 | |
| 3100271 | 5 | 47 | | 3100504 | 21 | 11 | | 3100567 | 20 | 9 | |
| 3100272 | 5 | 46 | | 3100504 | 26 | 11 | | 3100570 | 27 | 2 | |
| 3100275 | 6 | 9 | | 3100505 | 21 | 12 | | 3100571 | 27 | 1 | |
| 3100281 | 6 | 8 | | 3100505 | 26 | 12 | | 3100579 | 21 | 16 | |
| 3100283 | 6 | 10 | | 3100506 | 21 | 1 | | 3100579 | 26 | 16 | |
| 3100285 | 6 | 28 | | 3100506 | 26 | 1 | | 3100580 | 21 | 37 | |
| 3100286 | 6 | 32 | | 3100507 | 21 | 27 | | 3100580 | 26 | 37 | |
| 3100287 | 6 | 33 | | 3100507 | 26 | 27 | | 3100600 | 15 | 29 | |
| 3100294 | 8 | 34 | | 3100508 | 21 | 28 | | 3100601 | 15 | 28 | |
| 3100300 | 9 | 2 | | 3100508 | 26 | 28 | | 3100602 | 15 | 24 | |

INDEX

VC2700M

Page =8

| Parts No. | Page No. | Ref. No. | Weight(g) | Parts No. | Page No. | Ref. No. | Weight(g) | Parts No. | Page No. | Ref. No. | Weight(g) |
|-----------|----------|----------|-----------|-----------|----------|----------|-----------|-----------|----------|----------|-----------|
| 3100603 | 15 | 27 | | 3101802 | 23 | 11 | | 3109300 | 10 | 1 | |
| 3100604 | 15 | 6 | | 3101802 | 28 | 28 | | | | | |
| 3100605 | 15 | 12 | | 3101804 | 23 | 18 | | 3120157 | 20 | 25 | |
| 3100607 | 15 | 5 | | 3101804 | 28 | 36 | | 3120157 | 25 | 32 | |
| 3100608 | 15 | 14 | | 3101805 | 23 | 3 | | 3120416 | 8 | 43 | |
| 3100609 | 17 | 25 | | 3101806 | 23 | 9 | | | | | |
| 3100611 | 16 | 2 | | 3101806 | 28 | 30 | | 3139028 | 18 | 18 | |
| 3100612 | 16 | 4 | | 3101807 | 28 | 31 | | 3139200 | 12 | 6 | |
| 3100613 | 16 | 6 | | 3101808 | 23 | 15 | | | | | |
| 3100614 | 17 | 19 | | 3101808 | 28 | 33 | | 3150020 | 4 | 21 | |
| 3100616 | 16 | 15 | | 3101809 | 23 | 6 | | 3150143 | 13 | 19 | |
| 3100620 | 16 | 36 | | 3101809 | 28 | 25 | | 3150155 | 13 | 25 | |
| 3100621 | 16 | 41 | | 3101810 | 23 | 13 | | | | | |
| 3100622 | 16 | 39 | | 3101830 | 28 | 2 | | 3151010 | 19 | 9 | |
| 3100623 | 15 | 26 | | 3101831 | 28 | 21 | | 3151011 | 19 | 10 | |
| 3100626 | 15 | 10 | | 3101832 | 28 | 6 | | 3151012 | 19 | 11 | |
| 3100630 | 2 | 32 | | 3101833 | 28 | 19 | | | | | |
| 3100631 | 2 | 33 | | 3101834 | 28 | 16 | | 3160136 | 4 | 9 | |
| 3100711 | 23 | 24 | | 3101835 | 28 | 13 | | 3160168 | 8 | 41 | |
| 3100711 | 28 | 42 | | 3101836 | 28 | 22 | | | | | |
| | | | | 3101837 | 28 | 8 | | 3161015 | 26 | 40 | |
| 3101100 | 30 | 29 | | | | | | 3161016 | 26 | 54 | |
| 3101101 | 30 | 28 | | 3103000 | 3 | 55 | | 3161019 | 26 | 49 | |
| 3101199 | 4 | 22 | | 3103001 | 3 | 56 | | 3161020 | 26 | 47 | |
| 3101200 | 4 | 23 | | | | | | 3161021 | 26 | 51 | |
| 3101202 | 24 | 25 | | 3106000 | 12 | 34-1 | | 3161022 | 26 | 50 | |
| 3101205 | 29 | 10 | | 3106001 | 12 | 34-2 | | 3161025 | 26 | 44 | |
| 3101206 | 29 | 8 | | | | | | 3161026 | 26 | 57 | |
| 3101207 | 29 | 12 | | 3107303 | 8 | 19 | | 3161027 | 26 | 52 | |
| 3101216 | 8 | 44 | | 3107303 | 18 | 5 | | | | | |
| 3101242 | 22 | 26 | | 3107304 | 8 | 20 | | 3169920 | 26 | 39 | |
| 3101243 | 22 | 15 | | 3107304 | 18 | 6 | | | | | |
| 3101244 | 22 | 12 | | 3107306 | 8 | 22 | | 3180004 | 1 | 35 | |
| 3101275 | 19 | 20 | | 3107306 | 18 | 8 | | 3180023 | 1 | 13 | |
| 3101275 | 24 | 17 | | 3107311 | 18 | 12 | | 3180024 | 1 | 14 | |
| 3101276 | 19 | 22 | | | | | | 3180025 | 1 | 18 | |
| 3101276 | 24 | 19 | | 3108130 | 18 | 2-1 | | 3180026 | 1 | 19 | |
| 3101300 | 12 | 52 | | 3108131 | 18 | 2-2 | | 3180027 | 2 | 1 | |
| 3101320 | 18 | 14 | | 3108133 | 7 | 11-1 | | 3180029 | 2 | 13-1 | |
| 3101321 | 18 | 15 | | 3108134 | 7 | 11-2 | | 3180030 | 2 | 13-2 | |
| 3101585 | 20 | 18 | | 3108135 | 7 | 11-3 | | 3180031 | 2 | 25 | |
| 3101586 | 20 | 13 | | 3108221 | 18 | 17 | | 3180032 | 2 | 27 | |
| 3101587 | 20 | 4 | | | | | | 3180033 | 2 | 37 | |
| 3101588 | 20 | 7 | | 3109000 | 12 | 35-1 | | 3180035 | 2 | 5 | |
| 3101590 | 20 | 22 | | 3109002 | 12 | 35-2 | | 3180037 | 2 | 3-1 | |
| 3101800 | 23 | 2 | | 3109098 | 18 | 19 | | 3180050 | 4 | 34 | |
| 3101801 | 23 | 7 | | 3109201 | 12 | 10 | | 3180059 | 5 | 48 | |
| 3101801 | 28 | 26 | | 3109210 | 29 | 18 | | 3180060 | 5 | 16 | |

INDEX

VC2700M

Page = 9

| Parts No. | Page No. | Ref. No. | Weight(g) | Parts No. | Page No. | Ref. No. | Weight(g) | Parts No. | Page No. | Ref. No. | Weight(g) |
|-----------|----------|----------|-----------|-----------|----------|----------|-----------|-----------|----------|----------|-----------|
| 3180080 | 14 | 25 | | 3500360 | 24 | 23 | | 9620202 | 30 | 39 | |
| 3180084 | 13 | 18 | | 3500425 | 14 | 23 | | 9620631 | 30 | 2 | |
| 3180100 | 10 | 3 | | 3500430 | 1 | 3 | | 9620666 | 30 | 22 | |
| 3180110 | 15 | 1 | | 3500431 | 1 | 10 | | 9620670 | 30 | 3 | |
| 3180111 | 17 | 20 | | 3500432 | 2 | 9 | | 9620673 | 30 | 8 | |
| 3180112 | 15 | 34 | | 3500503 | 21 | 7 | | 9620675 | 30 | 11 | |
| 3180113 | 17 | 33 | | 3500503 | 26 | 7 | | 9620678 | 30 | 23 | |
| | | | | 3500510 | 21 | 17 | | 9620679 | 30 | 24 | |
| 3200047 | 3 | 32 | | 3500510 | 26 | 17 | | 9620680 | 30 | 25 | |
| 3200048 | 3 | 15 | | 3500530 | 19 | 17 | | 9620681 | 30 | 26 | |
| 3200049 | 6 | 38 | | 3500530 | 24 | 13 | | 9620688 | 30 | 18 | |
| 3200058 | 4 | 1 | | 3500555 | 23 | 19 | | 9620689 | 30 | 4 | |
| 3200063 | 4 | 7 | | 3500555 | 28 | 37 | | 9620690 | 30 | 21 | |
| 3200064 | 4 | 8 | | 3500556 | 23 | 23 | | 9620691 | 30 | 20 | |
| 3200088 | 7 | 40 | | 3500556 | 28 | 41 | | 9620696 | 30 | 1 | |
| 3200089 | 7 | 38 | | 3500700 | 30 | 32 | | 9620700 | 30 | 17 | |
| 3200090 | 7 | 42 | | | | | | 9620703 | 30 | 16 | |
| 3200100 | 6 | 13 | | 3501270 | 16 | 14 | | | | | |
| 3200101 | 7 | 14 | | 3501271 | 16 | 28 | | 9710111 | 30 | 41 | |
| 3200112 | 7 | 18 | | 3501272 | 16 | 27 | | | | | |
| 3200113 | 7 | 22 | | 3501275 | 16 | 30 | | 9720235 | 30 | 40-2 | |
| 3200114 | 7 | 17 | | 3501276 | 16 | 26 | | 9720236 | 30 | 40-1 | |
| 3200115 | 7 | 13 | | 3501280 | 16 | 24 | | | | | |
| 3200118 | 7 | 23 | | 3501281 | 15 | 19 | | | | | |
| 3200133 | 16 | 8 | | 3501282 | 16 | 23 | | | | | |
| 3200226 | 6 | 16 | | 3501283 | 16 | 18 | | | | | |
| 3200227 | 14 | 5 | | 3501284 | 16 | 20 | | | | | |
| 3200229 | 13 | 3 | | 3501290 | 16 | 31 | | | | | |
| 3200230 | 13 | 5 | | 3501295 | 16 | 43 | | | | | |
| 3200236 | 14 | 1 | | | | | | | | | |
| 3200237 | 13 | 15 | | 3507000 | 18 | 3-1 | | | | | |
| 3200238 | 14 | 3 | | 3507002 | 18 | 3-2 | | | | | |
| | | | | 3507050 | 8 | 17-1 | | | | | |
| 3201037 | 22 | 14 | | 3507052 | 8 | 17-2 | | | | | |
| | | | | 3507054 | 8 | 17-3 | | | | | |
| 3204020 | 4 | 33 | | | | | | | | | |
| 3204021 | 4 | 4 | | 3509202 | 29 | 19 | | | | | |
| 3204040 | 1 | 9 | | 3509320 | 9 | 25 | | | | | |
| | | | | 3509935 | 23 | 1 | | | | | |
| 3210002 | 1 | 1 | | 3509952 | 28 | 1 | | | | | |
| | | | | | | | | | | | |
| 3500088 | 4 | 2 | | 4109403 | 1 | 38 | | | | | |
| 3500284 | 3 | 31 | | | | | | | | | |
| 3500285 | 3 | 28 | | 6100709 | 6 | 1 | | | | | |
| 3500286 | 3 | 13 | | | | | | | | | |
| 3500287 | 3 | 10 | | 9611074 | 31 | 13 | | | | | |
| 3500299 | 8 | 46 | | | | | | | | | |
| 3500305 | 8 | 42 | | 9620008 | 30 | 42 | | | | | |

Yamato

ヤマトマシン製造株式会社

YAMATO SEWING MACHINE MFG. CO., LTD.