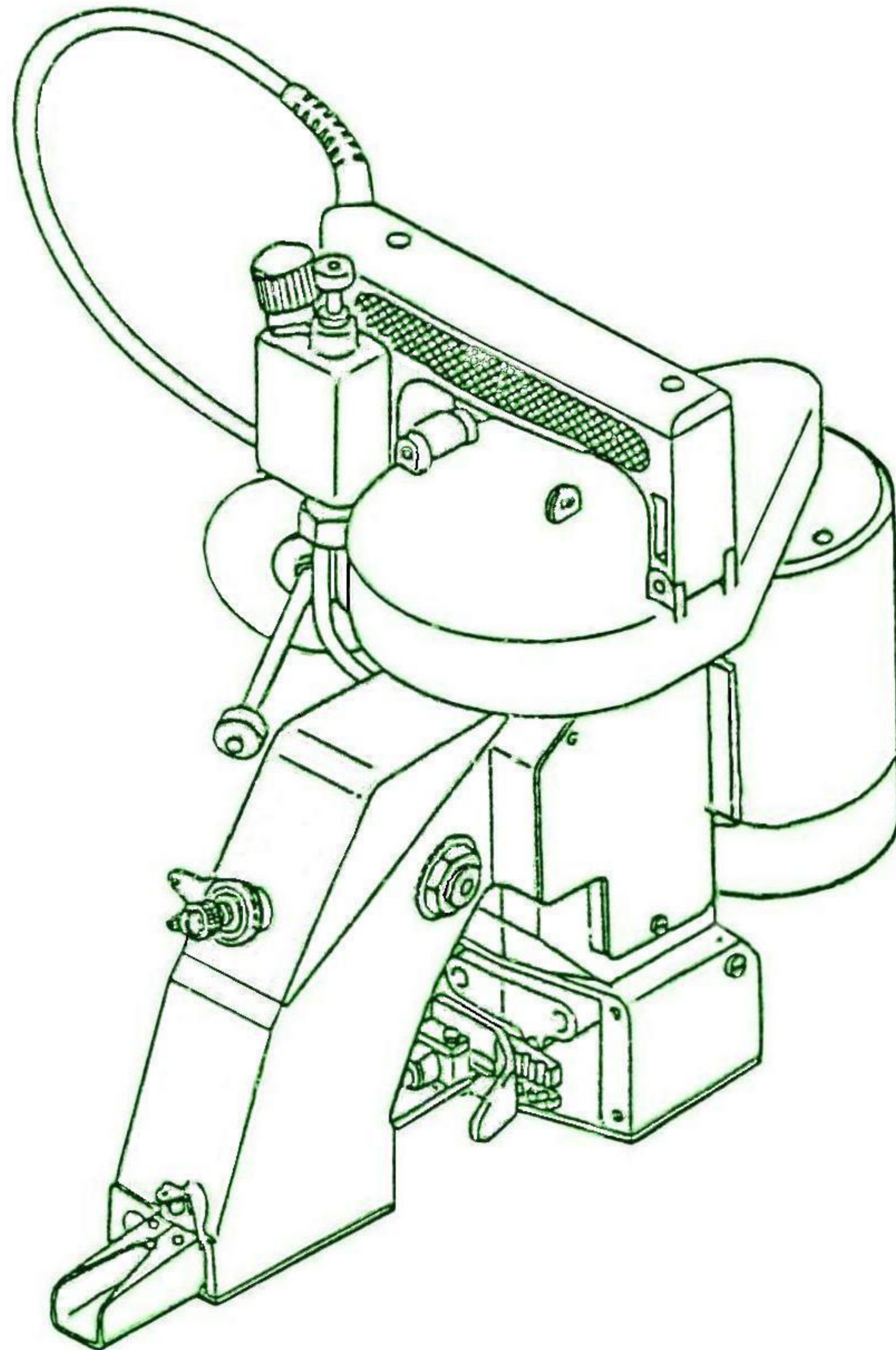


袋口縫いハンドミシン PORTABLE BAG CLOSER

使用説明書／部品表



対応機種：AK-7A, AK-7B, AK-7C, AK-7H, AK-7BC

農産物、動物の飼料、肥料、  
化学薬品等々の袋とじに最適!!

## 8. 部品を注文する

マシンに使われているパーツは、全てこの冊子に載せています。

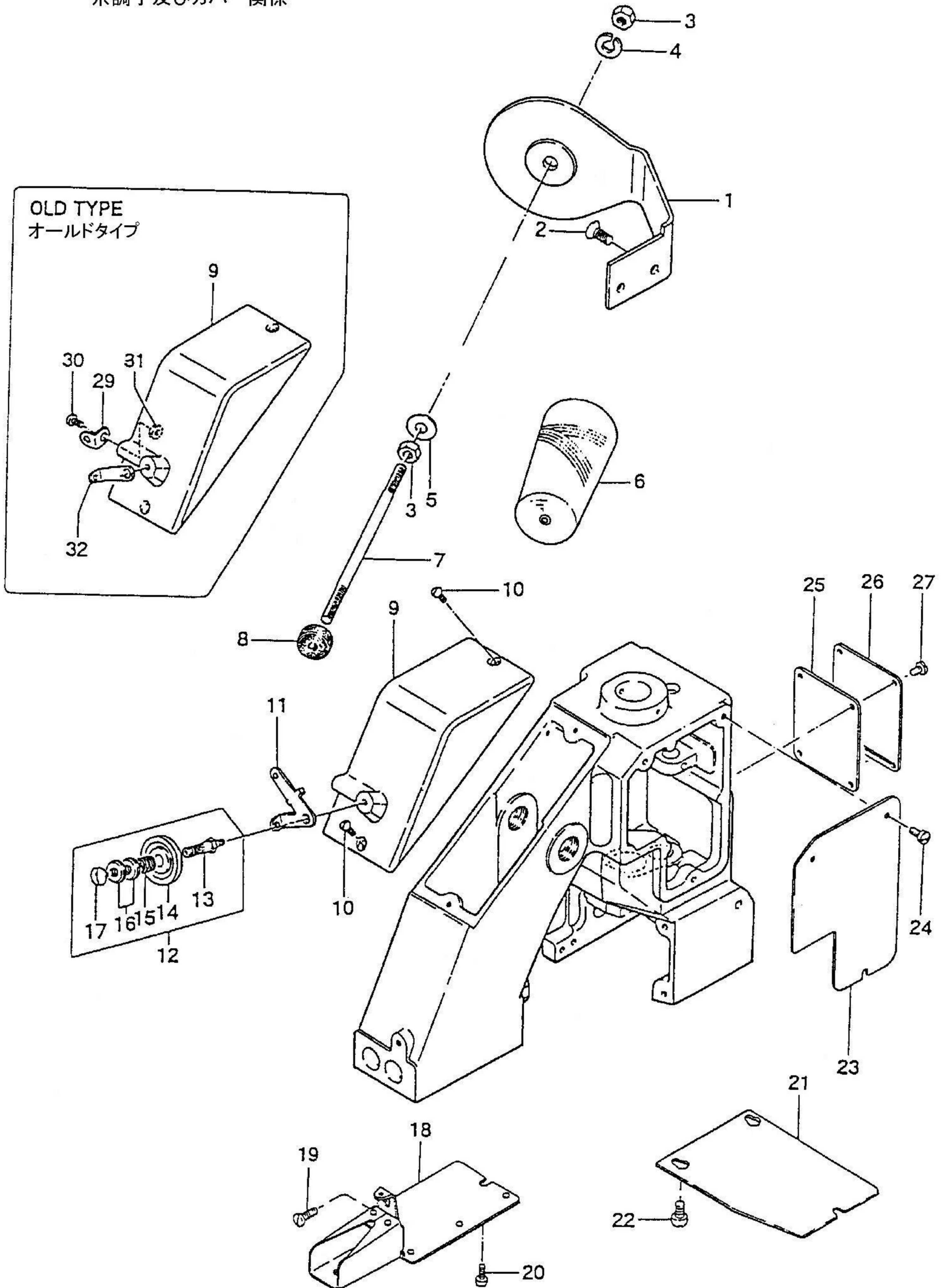
1. 部品をご注文される時は、この表に載っている部品番号、部品名称、個数を、正確にお知らせください。
2. このパーツリストは、予告なく変更する場合があります。

### 目 次

(1) 糸調子及びカバー関係 .....	10
(2) 軸受け、給油、ハンドル関係 .....	12
(3) 針棒、押え棒及び駆動関係 .....	14
(4) ルーパー関係 .....	16
(5) 送り機構及び糸切り関係 .....	18
(6) モーター関係 (全密閉型モーター用) .....	20
(7) 特殊パーツ関係 .....	22
(8) クレープテープ装置関係 (特注部品) .....	24
パーツ索引 .....	26
ネジ、ナット及びワッシャーの種類 .....	28

# (1) THREAD TENSION AND COVER PARTS

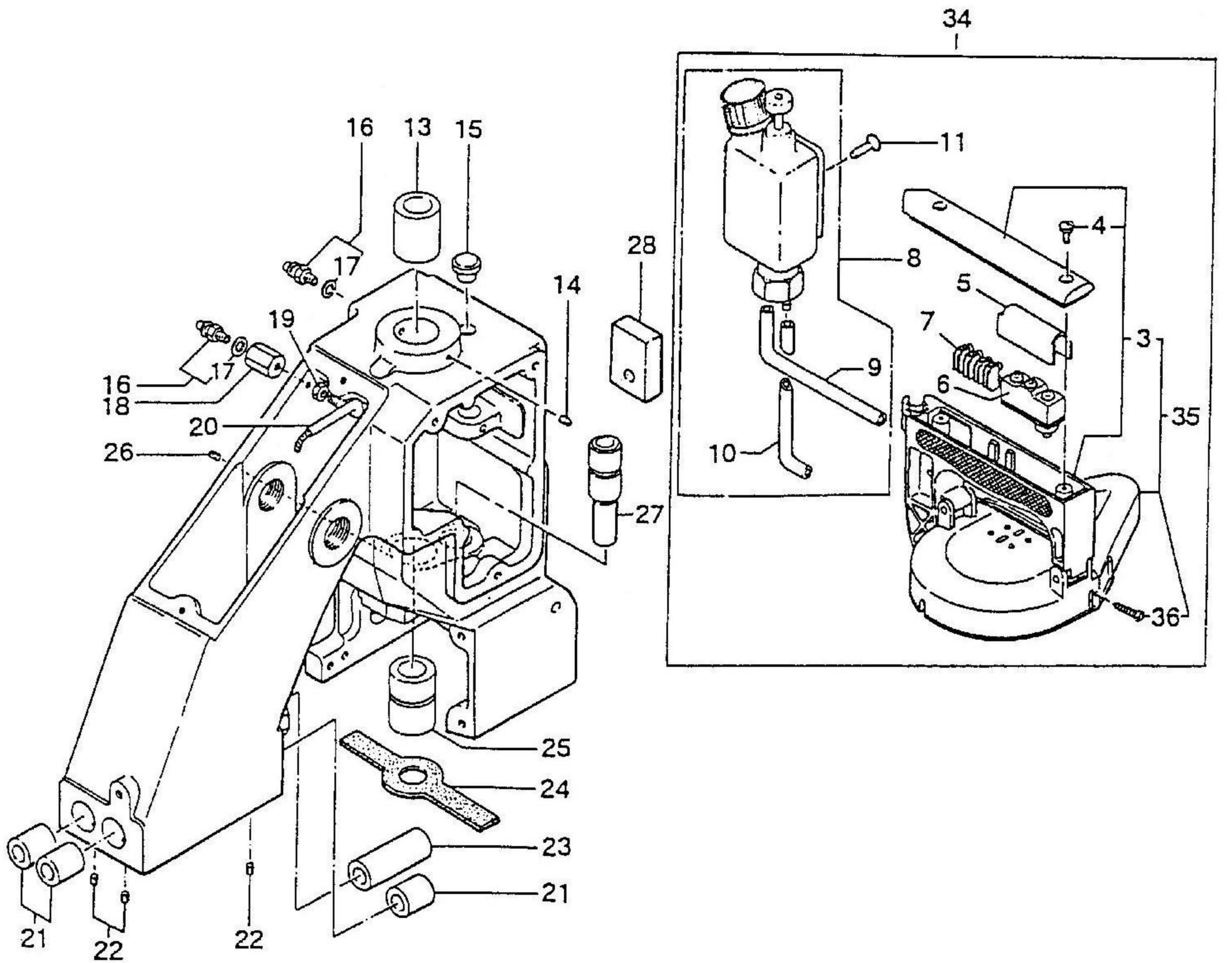
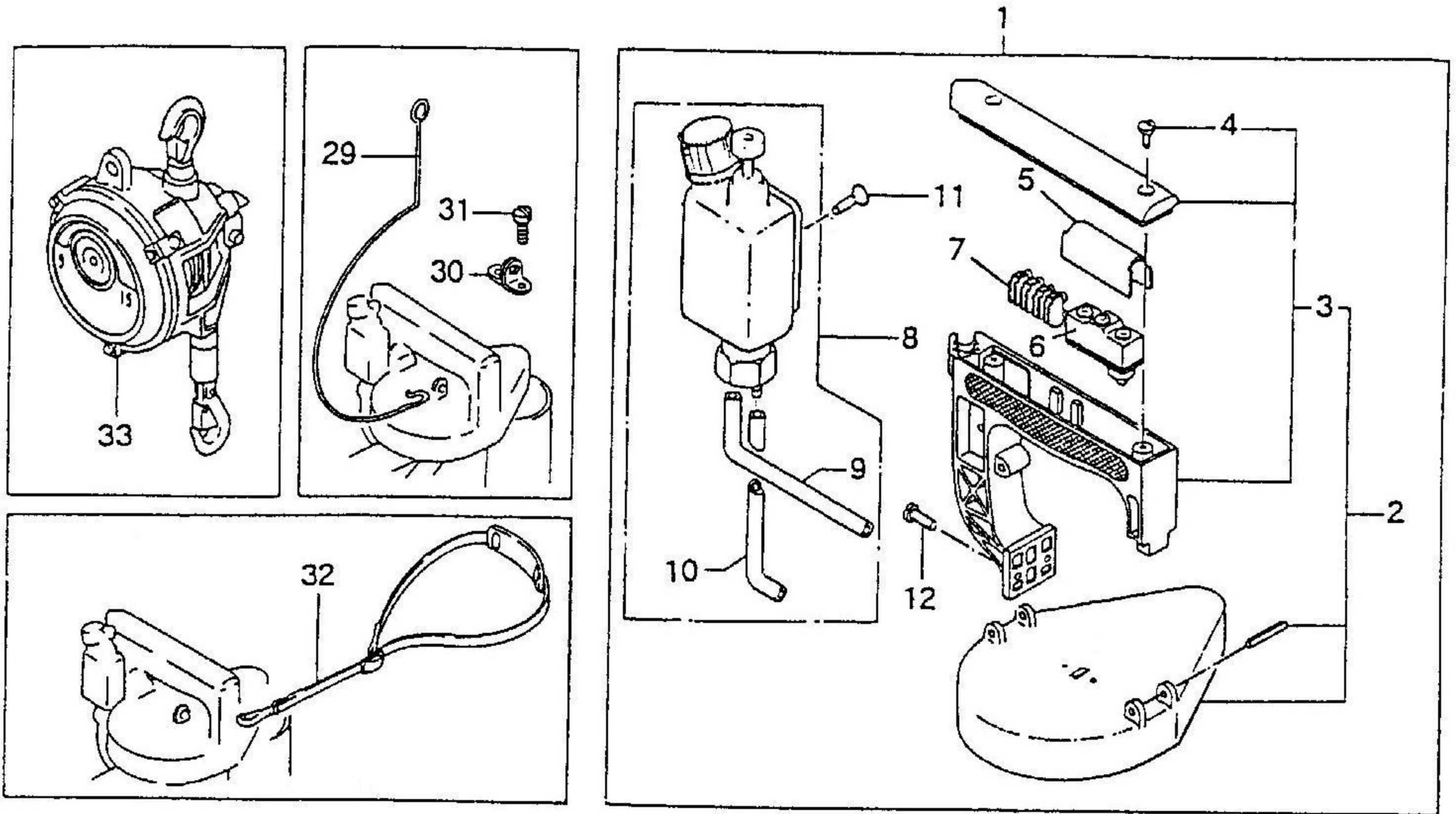
糸調子及びカバー関係



## (1) THREAD TENSION AND COVER PARTS

Key No.	Part No.	Description	Qty	Remarks
1	245042	Thread Stand 糸立て	1	
2	15/64S28028	Screw, for 245042 ネジ	2	
3	1N6	Nut ナット	2	
4	3W6	Spring Washer バネワッシャー	1	
5	2W6	Washer ワッシャー	1	
6	K01001	Thread 糸	1	
7	245052	Thread Cone Clamping Rod 糸立て棒	1	
8	245201	Thread Cone Clamping Nut ナット	1	
9	245014	Top Cover トップカバー	1	
10	9/64S40005	Screw, for 245014 ネジ	2	
11	245551	Thread Eyelet イトミチ	1	
12	245081A	Thread Tension Assembly 糸調子組	1	(13~17)
13	245081	Tension Post 糸調子芯棒	1	
14	065261	Tension Disc 糸調子皿	2	
15	245101	Tension Spring 糸調子バネ	1	
16	245091	Tension Nut 糸調子ナット	2	
17	9/64S40011	Screw, for 245081A ネジ	1	
18	245033	Needle Bar Guard 針棒ガード	1	
19	11/64S40005	Screw, for 245033 ネジ	1	
20	9/64S40065	Screw, for 245033 ネジ	2	
21	245222	Looper Cover ルーパーカバー	1	
22	9/64S40065	Screw, for 245222 ネジ	3	
23	245022	Side Plate サイドプレート	1	
24	9/64S40005	Screw, for 245022 ネジ	3	
25	245481	Gasket ガasket	1	
26	245302	Inside Cover 内カバー	1	
27	9/64S40005	Screw, for 245302 ネジ	4	
29	245261	Thread Eyelet 糸ガイド	1	} Old Type オールドタイプ
30	11/64S40006	Screw, for 245261 ネジ	1	
31	11/64N40102	Nut ナット	1	
32	245071	Thread Tension Eyelet 糸調子ガイド	1	

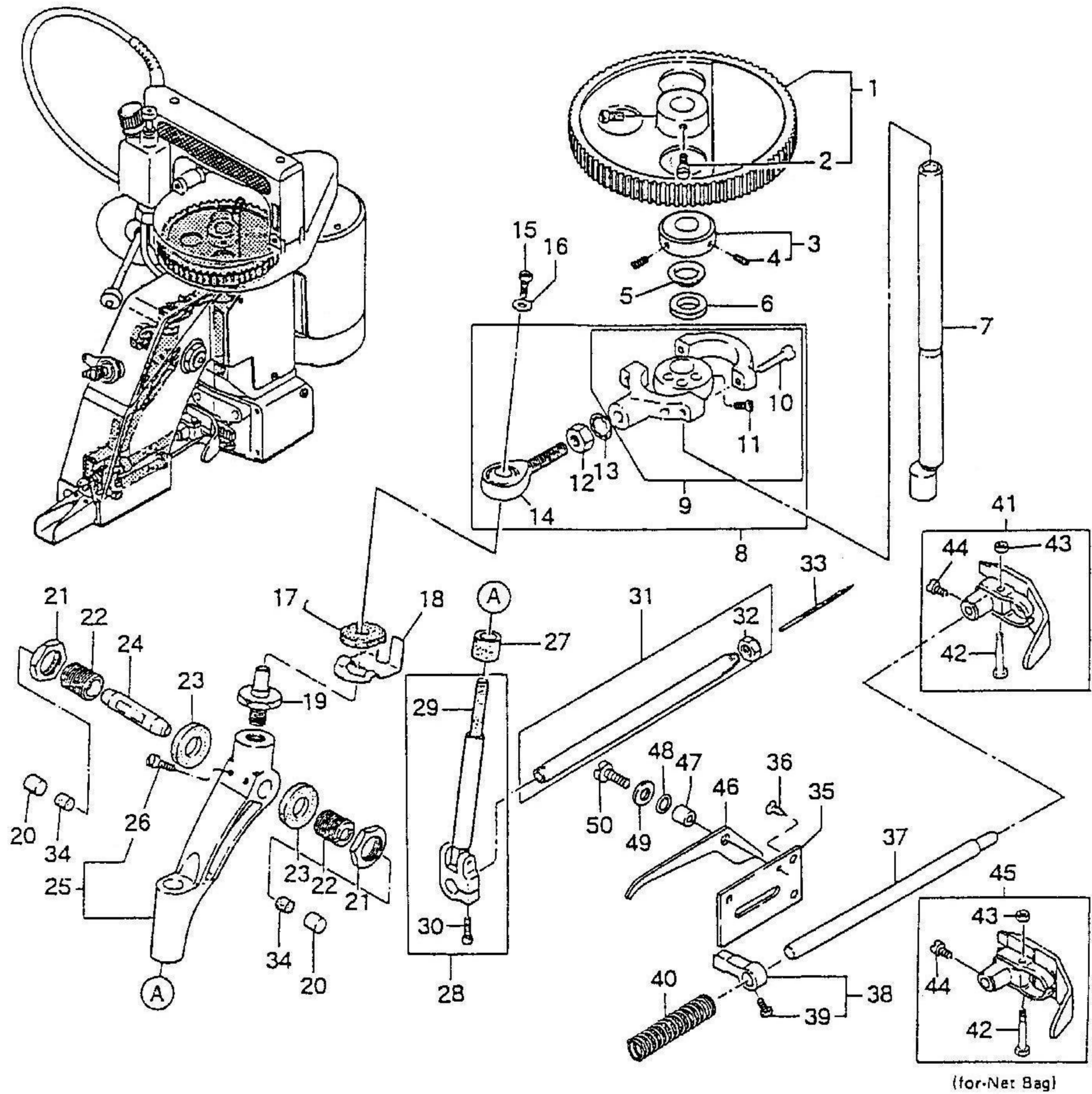
(2) BUSHINGS, OILINGS AND HANDLE PARTS



(2) BUSHINGS, OILINGS AND HANDLE PARTS

Key No.	Part No.	Description	Q'ty	Remarks
1	241024AS	Handle Assembly	1	2,5~11
2	241024A	Handle Assembly	1	(3,4)
3	241024	Handle	1	(4)
4	9/64S40011	Screw, for 241024A	2	
5	245132	Micro Switch Cover	1	
6	C02001	Micro Switch (Z-15GK655-B)	1	
	C02006	Micro Switch (X-10GD-B)	1	for DC motor
7	C05008	Flexible Terminal Block (ML-SK-1,4P)	1	
8	D03003	Oiler	1	(9,10)
9	8FU2-6×90F	Oil Tube, with oil felt	1	
10	8FU2-6×60F	Oil Tube, with oil felt	1	
11	6S5×15	Screw, for D03003	1	
12	15/64S28021	Screw, for 241024A	2	
13	241122	Main Shaft Bushing, rear	1	
14	9/64S40502	Screw, for 241122	1	
15	065401	Rubber Bushing	1	
16	D07021	Joint (BN-5-6)	2	(17)
17	E03014	Washer	2	
18	245471	Joint	1	
19	1N4	Nut	1	
20	245461	Oil Pipe	1	
21	242212	Bushing for Presser Bar & Needle Bar, upper	3	
22	9/64S40502	Screw, for 242212	3	
23	242222	Presser Bar Bushing, lower	1	
24	245541	Oil Felt	1	
25	241111	Main Shaft Bushing, lower	1	
26	9/64S40502	Screw, for 241111	1	
27	243021	Looper Rocker Shaft Bushing	1	
28	245162	Oil Felt	1	
29	245271	Hanger	(1)	Special Order
30	241151	Hook	(1)	別注
31	1/8S40006	Screw, for 241151	(2)	
32	245171	Shoulder Belt	(1)	
33	EW-6.5	Spring Balancer	(1)	
34	241024BS	Handle Assembly (Safety type with pulley cover)	(1)	5~11,35
35	241024B	Handle Assembly (Safety type with pulley cover)	(1)	(3,4,36)
36	9S2.6×10	Screw, for 241024B	(1)	

### (3) NEEDLE BAR, PRESSER BAR AND DRIVING PARTS



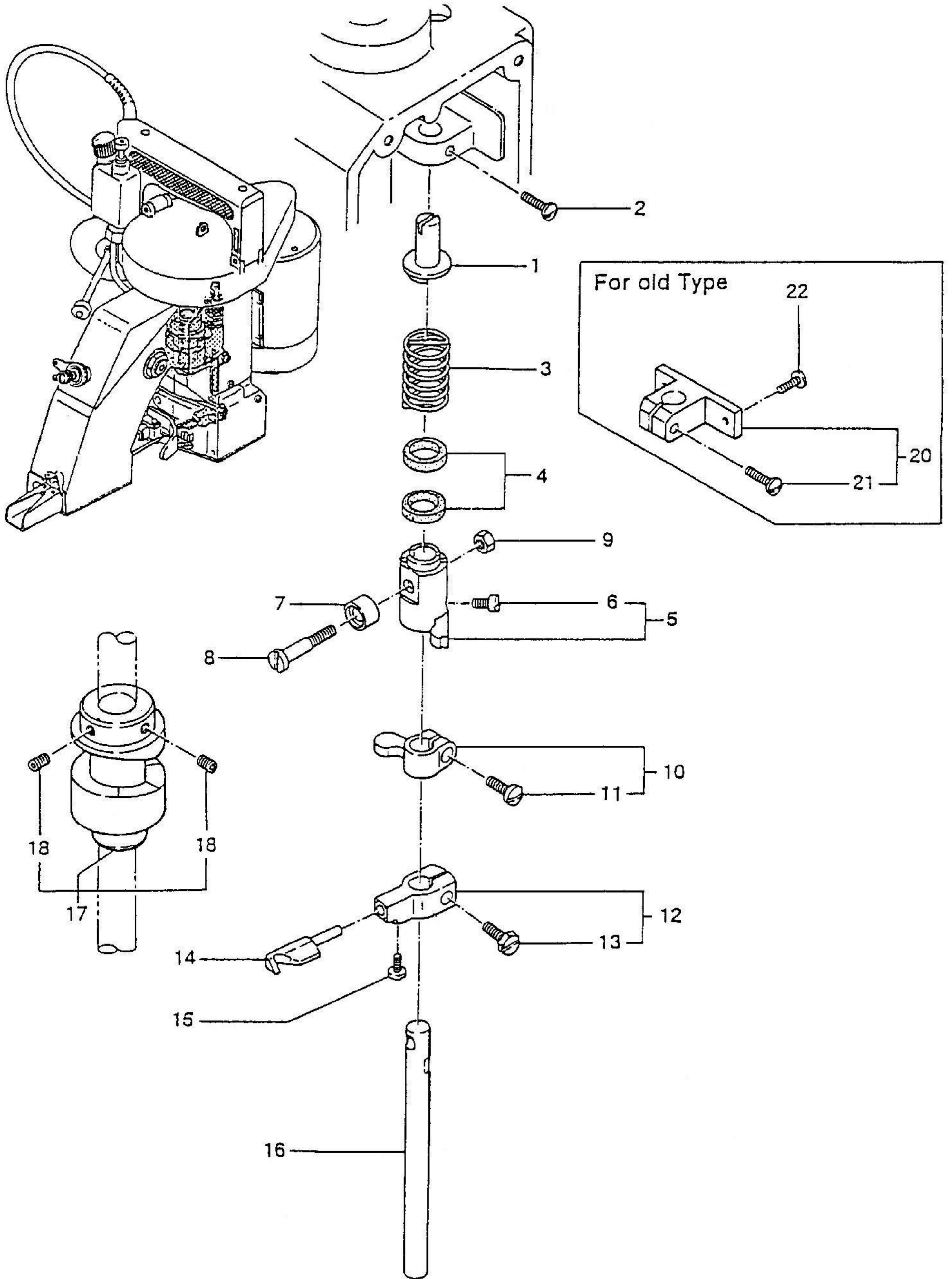
Key No.	Part No.	Description	Q'ty	Remarks
1	241092	Synchro Pulley	1	(2)
2	3/16S28001	Screw, for 241092	2	
3	241131	Retaining Collar	1	(4)
4	11/64S40502	Screw, for 241131	2	
5	241161	Spacer	1	
6	205131	Oil Felt	1	
7	241102	Main Shaft	1	
8	242011A	Connecting Rod Assembly	1	(9~14)
9	242011	Connecting Rod Sub-Assembly	1	(10,11)
10	3/16S28029	Screw, for connecting rod cap	2	
11	11/64S40001	Screw, for eccentric cam	2	
12	1N8	Nut, for 242011A	1	

(3) NEEDLE BAR, PRESSER BAR AND DRIVING PARTS

Key No.	Part No.	Description	Q'ty	Remarks
13	5W8	Washer, for 242011A	1	
14	6A04001	Rod End (POS-8)	1	
15	11/64S40084	Screw, for 242031	1	
16	11/64W15103	Washer, for 242031	1	
17	245211	Oil Felt	1	
18	242041	Spring	1	
19	242031	Rod End Stud	1	
20	245491	Cap	2	
21	5/8N18101	Nut, for 242081	2	
22	242081	Adjusting Stud	2	
23	245231	Oil Felt	2	
24	242071	Needle Bar Lever Stud	1	
25	242051A	Needle Bar Lever Assembly	1	(26)
26	11/64S40004	Screw, for 242051A	2	
27	245371	Oil Felt	1	
28	242101A	Needle Bar Connection Assembly	1	(29,30)
29	205171	Oil Felt	1	
30	11/64S40003	Screw, for 242101A	1	
31	242121A	Needle Bar with Nut	1	(32)
32	242131	Needle Clamp Nut	1	
33	B01002	Needle(DN×1 #25)	1	
34	065561	Oil Felt	2	
35	242172	Presser Foot Lifter Base	1	
36	11/64S40002	Screw, for 242172	3	
37	242201	Presser Bar	1	
38	242181	Presser Bar Connection	1	(39)
39	11/64S40003	Screw, for 242181	1	
40	242191	Presser Spring	1	
41	242231A	Presser Foot Assembly	1	(42~44)
42	9/64S40055	Screw	1	
43	9/64N40101	Nut	1	
44	11/64S40005	Screw, for 242231A, 242233A	1	
45	242233A	Presser Foot Assembly (for Net Bag)	(1)	(42~44)
46	242161	Presser Foot Lifter	(1)	Special Order For Presser Bar Lifter
47	242271	Collar	(1)	
48	31LP6	"O" Ring	(1)	
49	11/64W15103	Washer	(1)	
50	11/64S40009	Screw, for 242161	(1)	



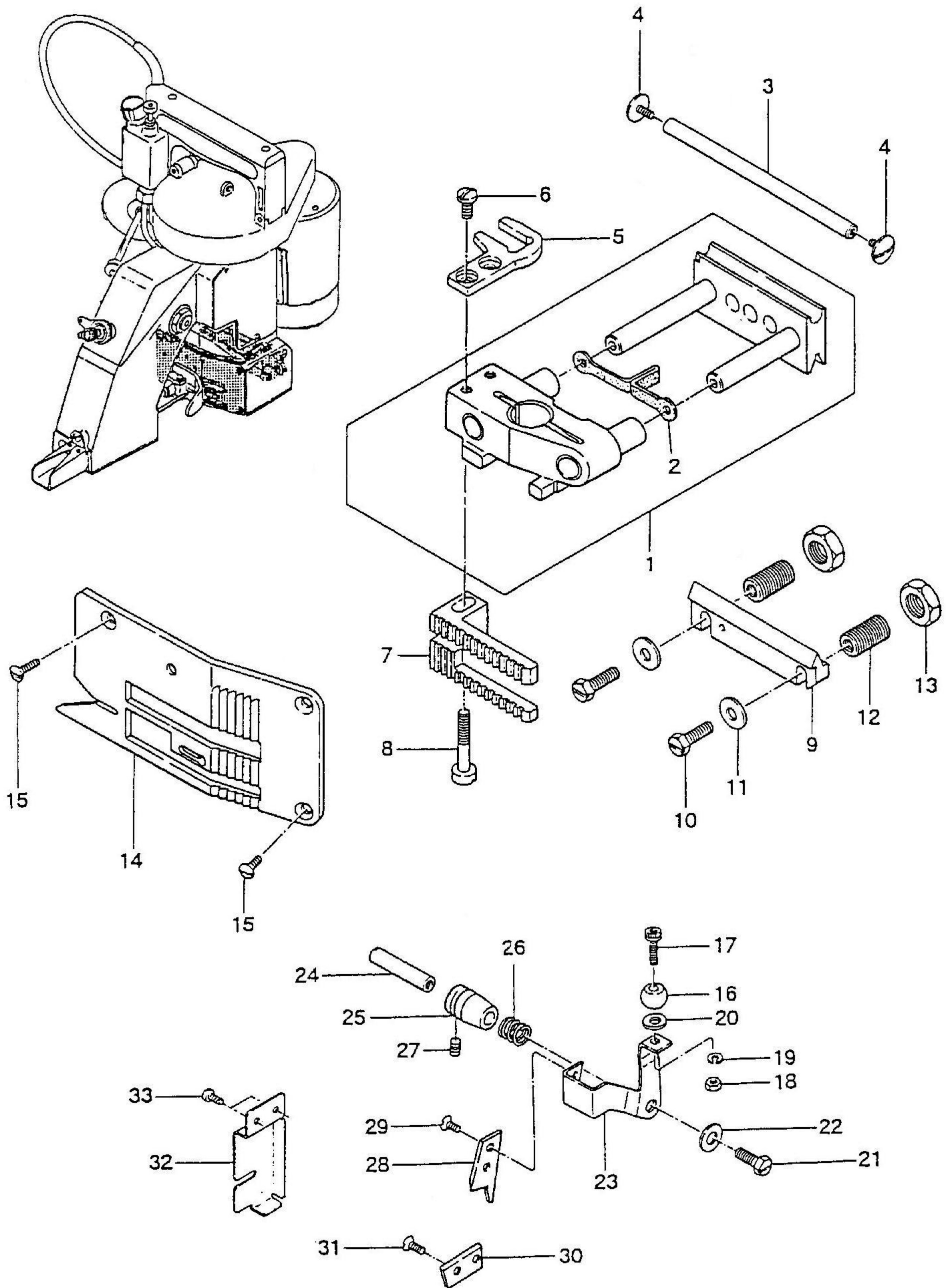
(4) LOOPER DRIVING PARTS



(4) LOOPER DRIVING PARTS

Key No.	Part No.	Description	Q'ty	Remarks
1	243121	Spring Supporter	1	
2	11/64S40003	Screw, for 243121	1	
3	243131	Spring	1	
4	205131	Oil Felt	2	
5	243071	Looper Rocker Shaft Arm (A)	1	(6)
6	11/64S40002	Screw, for 243071	1	
7	243041	Roller	1	
8	243061	Roller Stud Screw	1	
9	11/64N40201	Nut, for 243061	1	
10	243081	Looper Rocker Shaft Arm (B)	1	(11)
11	11/64S40009	Screw, for 243081	1	
12	243092	Looper Rocker	1	(13)
13	11/64S40089	Screw, for 243092	1	
14	243102	Looper	1	
15	9/64S40001	Screw, for 243102	1	
16	243032	Looper Rocker Shaft	1	
17	243012	Looper Drive Cam	1	(18)
18	15/64S28524	Screw, for 243012	2	
20	243111	Spring Supporter Block	1	(21)
21	9/64S40035	Screw, for 243111	1	] for Old Type
22	9/64S40005	Screw, for 243111	2	

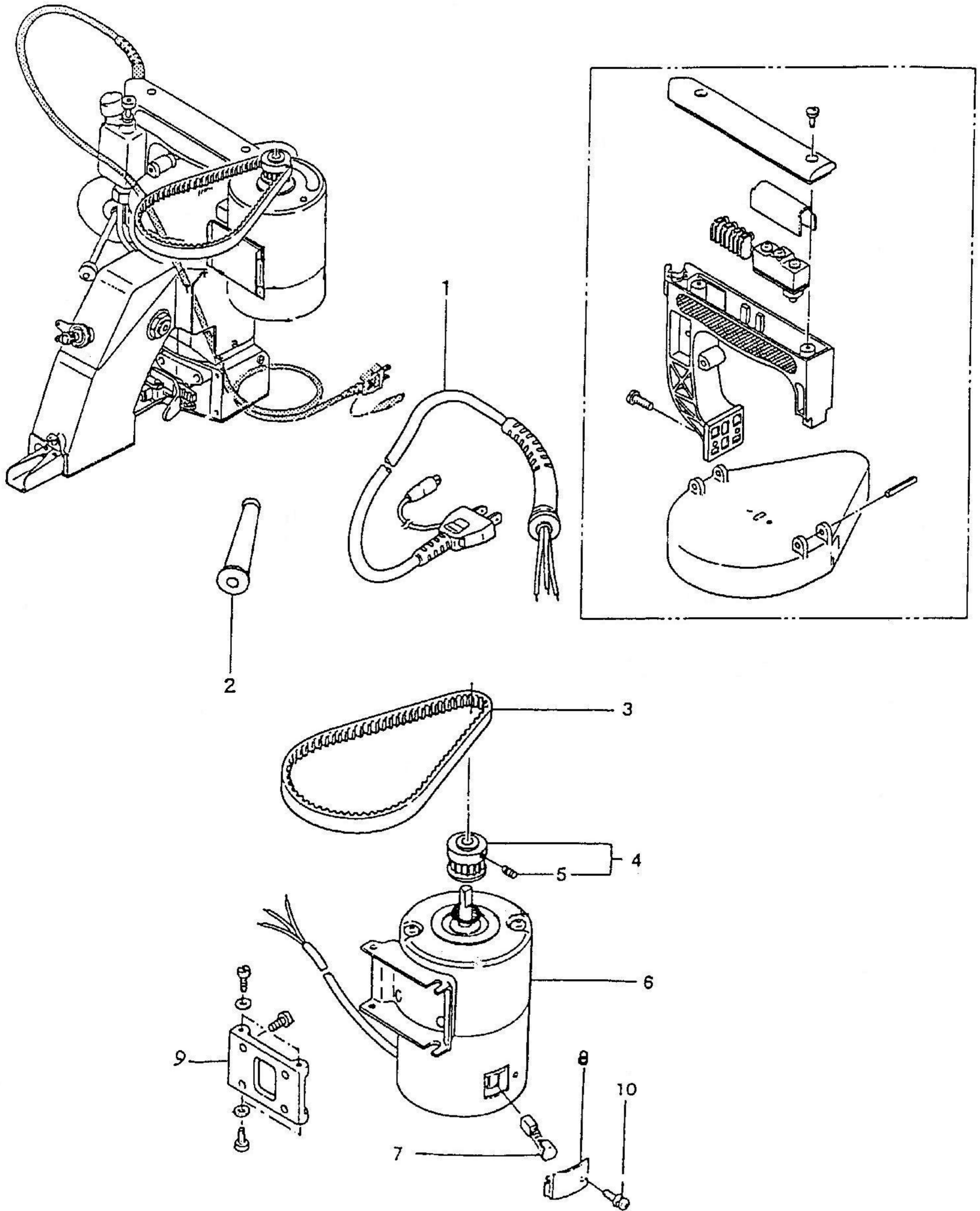
(5) FEED DRIVING AND THREAD CUTTER PARTS



## (5) FEED DRIVING AND THREAD CUTTER PARTS

Key No.	Part No.	Description	Q'ty	Remarks
1	244011A	Feed Dog Carrier Block Assembly	1	(2)
2	245391	Oil Felt	1	
3	244102	Slide Block Guide Stud	1	
4	9/64S40011	Screw, for 244102	2	
5	246011	Knife Bracket Extension	1	
6	3/16S32031	Screw, for 246011	2	
7	244111	Feed Dog	1	
8	3/16S32034	Screw, for 244111	1	
9	244081	Slide Block Adjusting	1	
10	3/16S32025	Lock Bolt, for 244091	2	
11	11/64W15103	Washer, for 244091	2	
12	244091	Stud Slide Block Adjusting Support	2	
13	3/8N24201	Lock Nut, for 244091	2	
14	244122	Throat Plate	1	
15	9/64S40043	Screw, for 244122	3	
16	246081	Ball	1	
17	4B3x12	Bolt, for 246081(M3x0.5x12ℓ)	1	
18	1N3	Nut, for 246081(M3x0.5)	1	
19	3W3	Spring Lock Washer(M3)	1	
20	1W3	Washer, for 246081(M3)	1	
21	11/64S40049	Screw, for 246021	1	
22	11/64W15103	Washer, for 246021	1	
23	246021	Knife Bracket	1	
24	246032	Knife Bracket Pin	1	
25	246042	Bushing, for 246032	1	
26	246051	Knife Tension Spring	1	
27	9/64S40502	Screw, for 246042	1	
28	246061	Knife Moving	1	
29	1/8S40003	Screw, for 246061	2	
30	246071	Knife Stationary	1	
31	1/8S40003	Screw, for 246071	2	
32	245561	Knife Cover	1	
33	1/8S40006	Screw, for 245561	2	

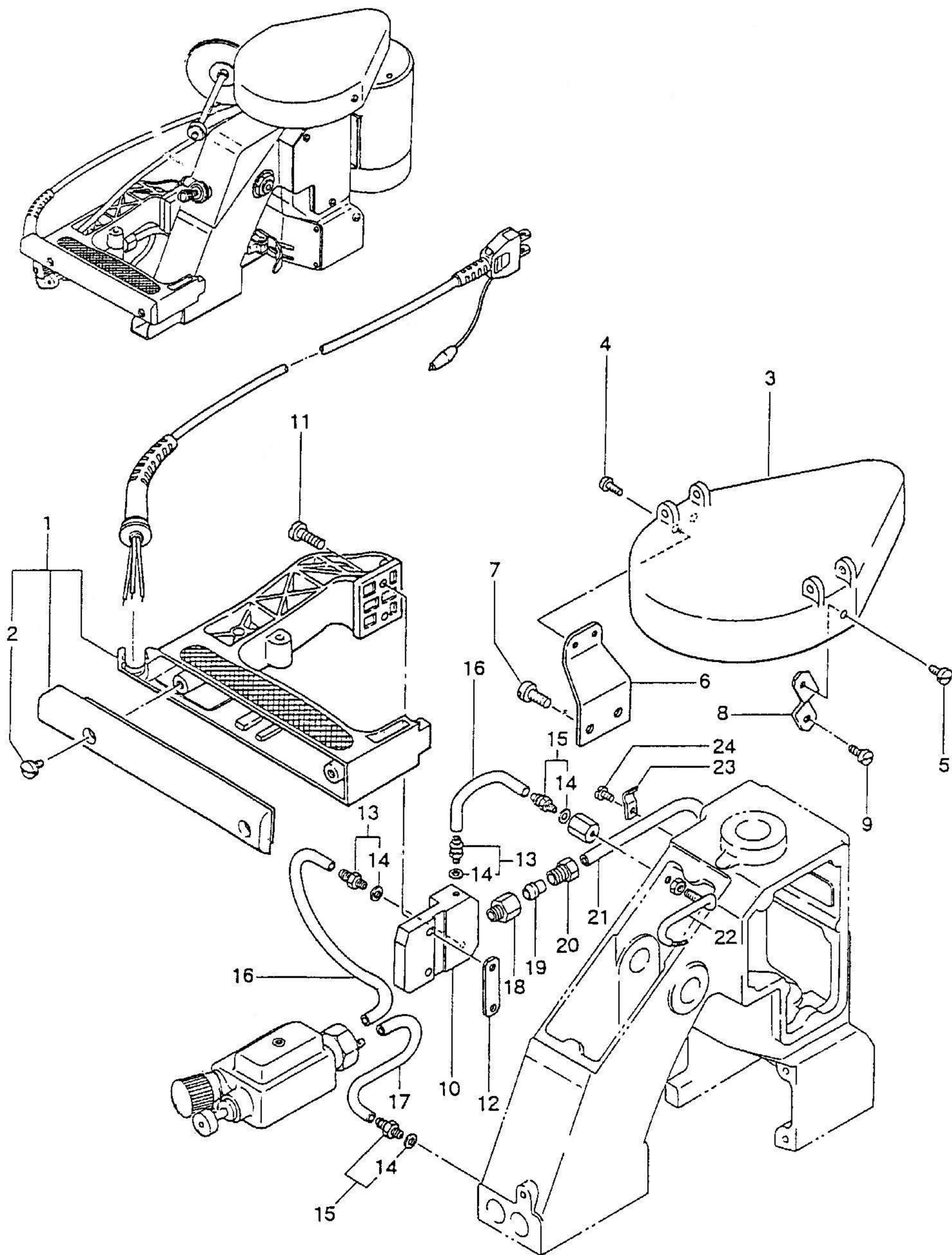
(6) MOTOR PARTS (For Totally Enclosed Type Motor)



(6) MOTOR PARTS (For Totally Enclosed Type Motor)

Key No.	Part No.	Description	Q'ty	Remarks
1	C04001	Cabtyer Cord, with Plug(Standard Type)	1	
	C04003	Cabtyer Cord, with Plug(American Type)	1	
	C04004	Cabtyer Cord, with Plug(British Type)	1	
	C04005	Cabtyer Cord, with Plug(German Type)	1	
	C04006	Cabtyer Cord, with Plug(French Type)	1	
	C04007	Cabtyer Cord, with Plug(Australian Type)	1	
	C04009	Cabtyer Cord, with Plug(for DC Motor )	1	
2	211151	Rubber Bushing (for C04003-C04007)	1	
3	F01001	Timing Belt	1	
4	241083	Motor Pulley	1	(5)
5	11/64S40504	Screw, for 241083	2	
6	C01021	Universal Motor (220V)	1	(7,8)
	C01022	Universal Motor (240V)	1	(7,8)
	C01023	Universal Motor (110V)	1	(7,8)
7	C08008	Carbon Brush, for AC Motor	2	
8	C07004	Cap	2	
9	241074	Motor Base	1	
10	15/64S28004	Screw, for 2410704	4	
11	13S5×10	Screw for Motor	4	

(7) SPECIAL PARTS

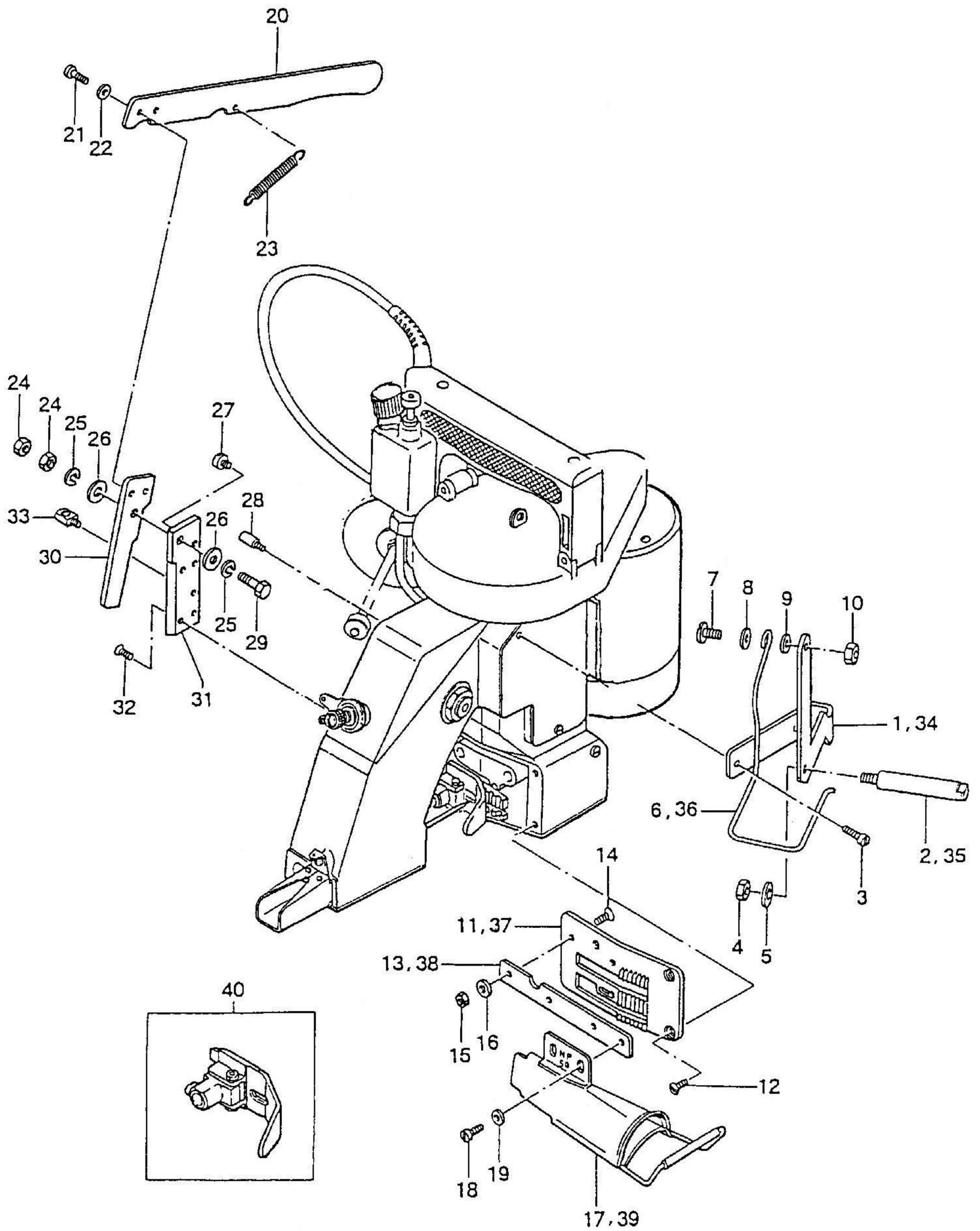


## (7) SPECIAL PARTS

Key No.	Part No.	Description	Q'ty	Remarks
1	241024	Handle	1	(2)
2	9/64S40011	Screw	2	
3	241212	Pulley Cover	1	
4	9/64S40004	Screw, for 241053	2	
5	9/64S40052	Screw, for 241053	1	
6	241242	Pulley Cover Holder A	1	
7	15/64S28004	Screw, for 241242	2	
8	241231	Pulley Cover Holder B	1	
9	9/64S40005	Screw, for 241231	1	
10	241223	Handle Base	1	
11	15/64S28032	Screw, for 241253	2	
12	241253	Handle Base Holder	1	
13	D07021	Joint(BN-5-6)	2	(14)
14	E03014	Washer	4	
15	D07021	Joint(BN-5-6)	2	(14)
16	8FU2-6×95F	Oil Tube ( φ 6×95ℓ), with oil felt	2	
17	8FU2-6×70F	Oil Tube ( φ 6×70ℓ), with oil felt	1	
18	D07022	Joint	1	
19	D07023	Compression Sleeve	1	
20	D07024	Compression Bushing	1	
21	8FN2-4×135K	Oil Tube ( φ 6×70ℓ), with oil wick	1	
22	245462	Oil Pipe	1	
23	D07009	Tube Clip (PC-4-1)	1	
24	9/64S40005	Screw, for D07009	1	



(8) CREPE TAPE BINDING AND CUTTER PARTS (Special Order Parts)



(8) CREPE TAPE BINDING AND CUTTER PARTS (Special Order Parts)

Key No.	Part No.	Description	Q'ty	Remarks
1	247071	Crepe Tape Bracket	1	
2	247091	Crepe Tape Hanger Stud	1	
3	9/64S40035	Screw, for 247071	2	
4	1N6	Nut, for 247091 (M6)	1	
5	2W6	Washer, for 247091 (M6)	1	
6	247081	Crepe Tape Supporter	1	
7	11/64S40015	Screw, for 247071	1	
8	1/4W03205	Spring Washer, for 247071	1	
9	1/4W15105	Washer, for 247071	1	
10	11/64N40203	Nut, for 247071	1	
11	244132	Throat Plate	1	
12	9/64S40043	Screw, for 244132	3	
13	247051	Holder, for crepe tape binder	1	
14	9/64S40043	Screw, for 247051	2	
15	9/64N40101	Nut, for 247051	2	
16	2W4	Washer, for 247051(M4)	2	
17	247061	Crepe Tape binder	1	
18	9/64S40054	Screw, for 247061	2	
19	2W4	Washer, for 247061(M4)	2	
20	247031	Cutter Lever	1	
21	11/64S40046	Screw, for 247011	2	
22	11/64W10101	Washer, for 247011	2	
23	247041	Screw, for 247031	1	
24	15/64N28206	Nut, for 247021	2	
25	3W6	Spring Lock Washer, for 247021,(M6)	2	
26	2W6	Washer, for 247021, (M6)	2	
27	11/64S40029	Stopper Screw, for 247011	1	
28	3/16S32026	Stopper Screw, for 247031	1	
29	247021	Hinge Pin	1	
30	247011	Knife, Moving	1	
31	247001	Knife, Stationary	1	
32	1/8S40003	Screw, for 247001	4	
33	183261	Spring Hook	1	
34	247073	Crepe Tape Bracket	(1)	for Crepe Tape width 70 mm
35	247092	Crepe Tape Hanger Stud	(1)	
36	247082	Crepe Tape Supporter	(1)	
37	244133	Throat Plate	(1)	
38	247052	Holder, for crepe tape binder	(1)	
39	247063	Crepe tape Binder	(1)	
40	242261A	Presser Foot Assembly	(1)	

## NUMERICAL INDEX OF PARTS

PART NO.	PAGE	PART NO.	PAGE	PART NO.	PAGE	PART NO.	PAGE
065261	11-14	242261A	25-40	2245461	13-20	OTHER ITEMS	
065401	13-15	242271	15-47	45462	23-22		
065561	15-34	243012	17-17	245471	13-18	6A04001	15-14
183261	25-33	243021	13-27	245481	11-25	B01002	15-33
205131	14-6,17-4	243032	17-16	245491	15-20	C01021	21-6
205171	15-29	243041	17-7	245541	13-24	C01022	21-6
211151	21-2	243061	17-8	245551	11-11	C01023	21-6
241024	13-3,23-1	243071	17-5	245561	19-32	C02001	13-6
241024A	13-2	243081	17-10	246011	19-5	C02006	13-6
241024AS	13-1	243092	17-12	246021	19-23	C04001	21-1
241024B	13-35	243102	17-14	246032	19-24	C04003	21-1
241024BS	13-34	243111	17-20	246042	19-25	C04004	21-1
241074	21-9	243121	17-1	246051	19-26	C04005	21-1
241083	21-4	243131	17-3	246061	19-28	C04006	21-1
241092	14-1	244011A	19-1	246071	19-30	C04007	21-1
241111	13-25	244081	19-9	246081	19-16	C04009	21-1
241102	14-7	244091	19-12	247001	25-31	C05008	13-7
241122	13-13	244102	19-3	247011	25-30	C07004	21-8
241131	14-3	244111	19-7	247021	25-29	C08008	21-7
241151	13-30	244122	19-14	247031	25-20	D03003	13-8
241161	14-5	244132	25-11	247041	25-23	D07009	23-23
241212	23-3	244133	25-37	247051	25-13	D07021	13-16,23-13
241223	23-10	245014	11-9	247052	25-38		23-15
241231	23-8	245022	11-23	247061	25-17	D07022	23-18
241242	23-6	245033	11-18	247063	25-39	D07023	23-19
241253	23-12	245042	11-1	247071	25-1	D07024	23-20
242011	14-9	245052	11-7	247073	25-34	F01001	21-3
242011A	14-8	245071	11-32	247081	25-6	K01001	11-6
242031	15-19	245081A	11-12	247082	25-36	8FN2-4×135K	23-21
242041	15-18	245081	11-13	247091	25-2	8FU2-6×60F	13-10
242051A	15-25	245091	11-16	247092	25-35	8FU2-6×70F	23-17
242071	15-24	245101	11-15			8FU2-6×90F	13-9
242081	15-22	245132	13-5			8FU2-6×95F	23-16
242101A	15-28	245162	13-28			EW-6.5	13-33
242121A	15-31	245171	13-32			31LP6	15-48
242131	15-32	245181	11-28				
242161	15-46	245201	11-8				
242172	15-35	245211	15-17				
242181	15-38	245222	11-21				
242191	15-40	245231	15-23				
242201	15-37	245261	11-29				
242212	13-21	245271	13-29				
242222	13-23	245302	11-26				
242231A	15-41	245371	15-27				
242233A	15-45	245391	19-2				

## NUMERICAL INDEX OF PARTS

PART NO.	PAGE	PART NO.	PAGE	PART NO.	PAGE	PART NO.	PAGE
SCREW		15/64S28524	17-18				
		4B3x12	19-17				
1/8S40003	19-29,19-31	6S5x15	13-11				
	25-32	9S2.6x10	13-36				
1/8S40006	13-31,19-33	13S5x10	21-11				
3/16S28001	14-2	NUT					
3/16S28029	14-10	1N3	19-18				
3/16S32025	19-10	1N4	13-19				
3/16S32026	25-28	1N6	11-3,25-4				
3/16S32031	19-6						
3/16S32034	19-8	1N8	14-12				
9/64S40001	17-15	3/8N24201	19-13				
9/64S40004	23-4	5/8N18101	15-21				
9/64S40005	11-10,11-24	9/64N40101	15-43,25-15				
	11-27,17-22	11/64N40102	11-31				
	23-9,23-24						
9/64S40011	11-17,13-4	11/64N40201	17-9				
	19-4,23-2	11/64N40203	25-10				
9/64S40035	17-21,25-3	15/64N28206	25-24				
9/64S40043	19-15,25-12						
	25-14	WASHER					
9/64S40052	23-5	1W3	19-20				
9/64S40054	25-18	2W4	25-16,25-19				
9/64S40055	15-42	2W6	11-5,25-5				
9/64S40065	11-20,11-22		25-26				
9/64S40502	13-14,13-22	3W3	19-19				
	13-26,19-27						
11/64S40001	14-11	3W6	11-4,25-25				
11/64S40002	15-36,17-6	5W8	15-13				
11/64S40003	15-30,15-39	1/4W03205	25-8				
	17-2	1/4W15105	25-9				
11/64S40004	15-26	11/64W10101	25-22				
11/64S40005	11-19,15-44	11/64W15103	15-16,15-49				
11/64S40006	11-30		19-11,19-22				
11/64S40009	15-50,17-11	E03014	13-17,23-14				
11/64S40015	25-7						
11/64S40029	25-27						
11/64S40046	25-21						
11/64S40049	19-21						
11/64S40084	15-15						
11/64S40089	17-13						
11/64S40502	14-4						
11/64S40504	21-5						
15/64S28004	21-10,23-7						
15/64S28021	13-12						
15/64S28028	11-2						
15/64S28032	23-11						

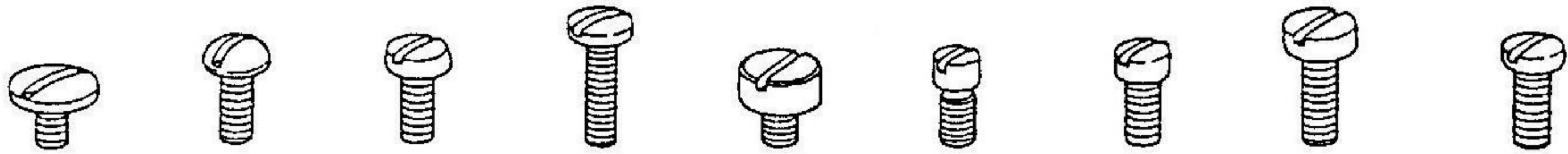
# SCREW , NUT & WASHER

ネジ、ナット、ワッシャー

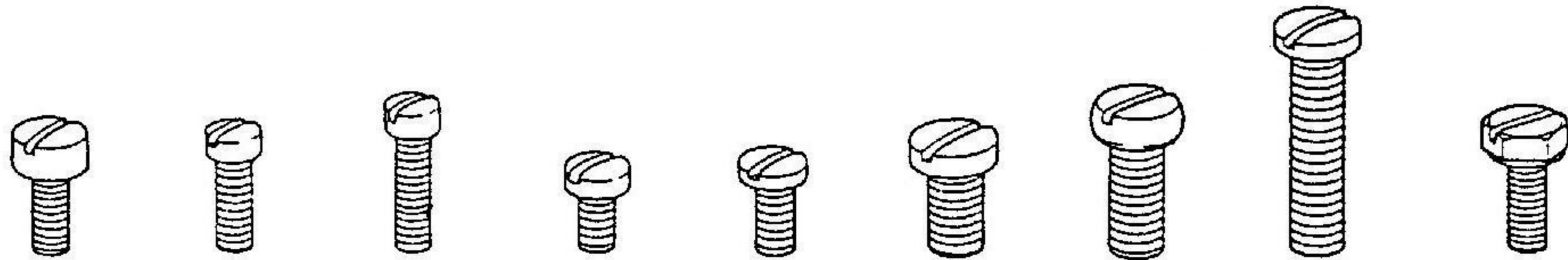
FULL SIZE



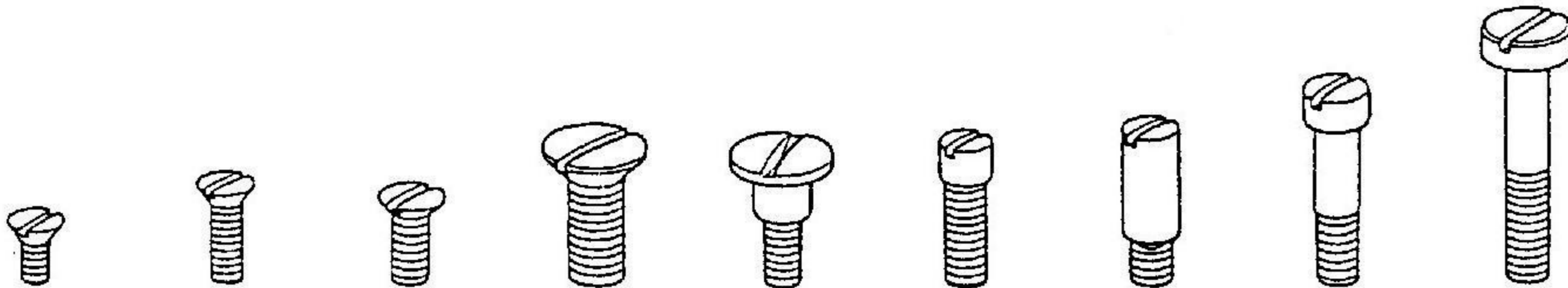
9/64S40502 11/64S40502 11/64S40504 15/64S28524 1/8S40006 9/64S40001 9/64S40004 9/64S40052 9/64S40054



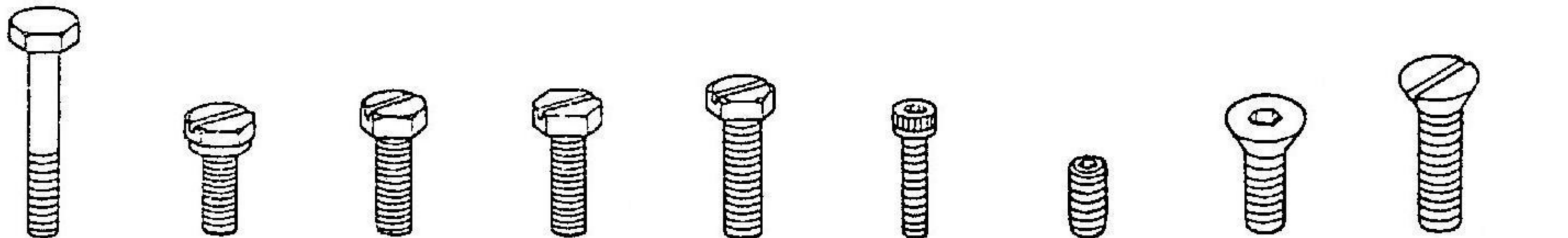
9/64S40011 9/64S40065 9/64S40005 9/64S40035 11/64S40029 11/64S40001 11/64S40002 11/64S40009 11/64S40006



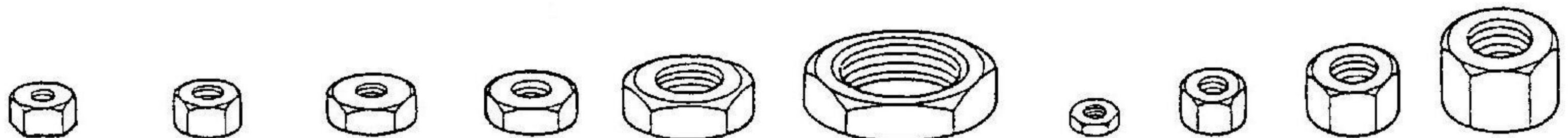
11/64S40046 11/64S40003 11/64S40004 11/64S40005 3/16S32031 15/64S28004 15/64S28021 15/64S28032 11/64S40084



1/8S40003 9/64S40043 11/64S40007 15/64S28028 11/64S40015 3/16S28001 3/16S32026 3/16S28029 3/16S32034



9/64S40055 11/64S40049 11/64S40075 11/64S40089 3/16S32025 4B3x12 1S3/16-32x9 FC103238 6S5x15



9/64N40101 11/64N40201 11/64N40203 15/64N28206 3/8N24201 5/8N18101 1N3 1N4 1N6 1N8



11/64N40102 11/64W10101 11/64W15103 1/4W03205 1/4W15105 1W3 2W4 2W6 3W6 5W8 E03014

お問い合わせは下記へお願い致します。

The logo consists of the letters 'SSM' in a bold, stylized font with a metallic, 3D effect and a shadow.

- ☆各社工業用ミシン・装置等の販売・保守
- ☆特殊アタッチメント・ラッパの製作・販売
- ☆各種合理化機器類の開発・製作・販売

**SHIMOMURA SEWING MACHINE CO.,LTD.**

有限会社 シモムラ

〒642-0021

和歌山県海南市井田138

TEL : 073-483-5221

FAX : 073-483-1616

E-MAIL : [ssm@pop21.odn.ne.jp](mailto:ssm@pop21.odn.ne.jp)

URL : <http://www2.odn.ne.jp>