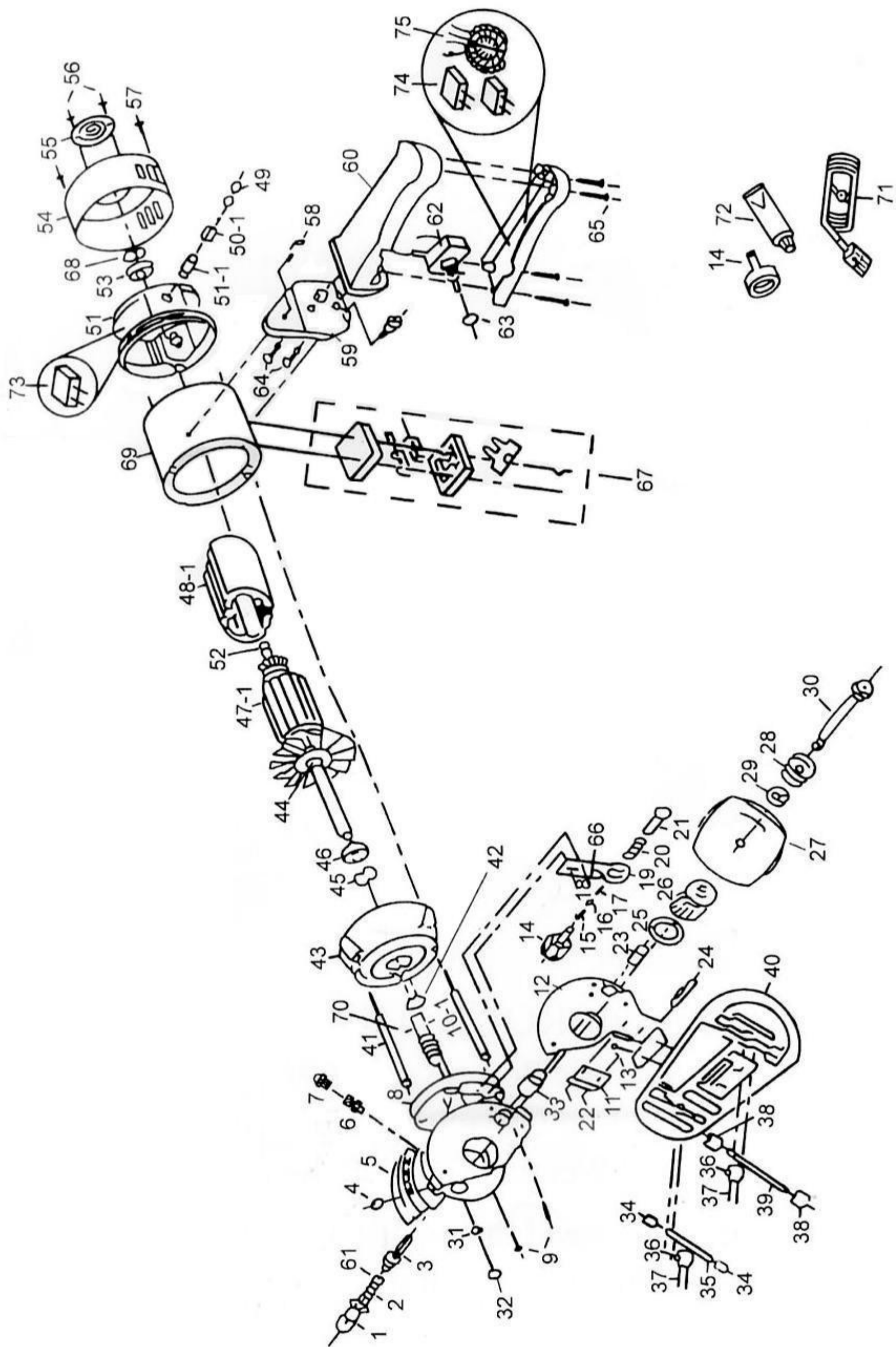


PARTS ASSEMBLY & ACCESSORIES



| PART NO. | PARTS NAME |
|----------|--------------------------|
| 1 | Adjusting Nut For Blade |
| 2 | Spring |
| 3 | Shaft For Gear |
| 4 | Screw For Finger Guard |
| 5 | Finger Guard |
| 6 | Grease Cup |
| 7 | Cap For Grease Cup |
| 8 | Gear Box |
| 9 | Screw |
| 10-1 | Worm Gear |
| 11 | Guide Plate |
| 12 | Gear Box Fixed Base |
| 13 | Screw |
| 14 | Sharpening Stone |
| 15 | Lock Nut For Stone |
| 16 | Snap Ring (E3) |
| 17 | Spring |
| 18 | Screw |
| 19 | Sharpening Stone Bracket |
| 20 | Spring |
| 21 | Push Knob For Stone |
| 22 | Screw |
| 23 | Oil Felt |
| 24 | Counter Blade |
| 25 | Worm Gear Washer |
| 26 | Worm Gear |
| 27 | Blade |
| 28 | Lock Cover For Blade |
| 29 | Bearing |
| 30 | Screw For Blade |
| 31 | Bearing |
| 32 | Cap For Bearing |
| 33 | Oil Felt Tube |
| 34 | Rollers |
| 35 | Roller Shaft |
| 36 | Roller Shaft Fixed Plate |
| 37 | Screw |
| 38 | Rollers |
| 39 | Roller Shaft |

| PART NO. | PARTS NAME |
|----------|--------------------------|
| 40 | Base Plate |
| 41 | Screw |
| 42 | Retaining Ring |
| 43 | Front Cover |
| 44 | Snap Ring |
| 45 | Wave Washer |
| 46 | Bearing |
| 47-1 | Rotor |
| 48-1 | Stator |
| 49 | Cap For Carbon Brush |
| 50-1 | Carbon Brush With Spring |
| 51 | Motor Cover |
| 51-1 | Carbon Brush Fixed Base |
| 52 | Snap Ring (E6) |
| 53 | Bearing |
| 54 | End Cover |
| 55 | Cap For Bearing |
| 56 | Screw |
| 57 | Screw |
| 58 | Screw |
| 59 | Handle Fixed Base |
| 60 | Handle |
| 61 | Nut For Switch |
| 62 | Switch |
| 63 | Nut For Switch |
| 64 | Screw |
| 65 | Screw |
| 66 | Screw |
| 67 | Plug |
| 68 | Wave Washer |
| 69 | Motor Cover |
| 70 | Screw For Worm Gear |
| 71 | Code Complete with Earth |
| 72 | Grease |
| ※73 | Capacitor |
| ※74 | Capacitor |
| ※75 | Inductor |
| 76 | Carbon Brush Fixed Base |

※ CE MODELS ONLY